

SYSTEM MAIN RESISTOR REPLACEMENT

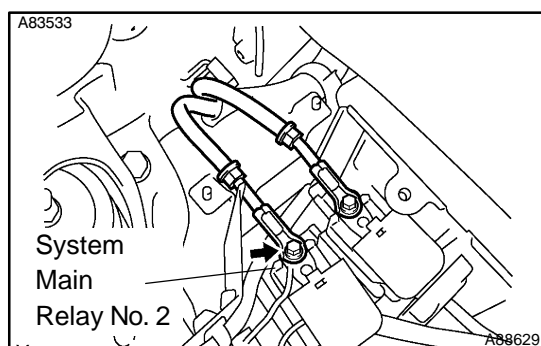
2103W-01

NOTICE:

- When working on the high voltage systems, always wear insulating gloves.
 - After removing the service plug grip, do not operate the power switch as it may damage the hybrid vehicle control ECU.
 - Keep the removed service plug in your pocket to prevent other technicians from reconnecting it while you are servicing the vehicle.
 - After removing the service plug grip, do not touch the high voltage connectors and terminals for 5 minutes.
1. PRECAUTION (See page 21-7)
 2. REMOVE REAR FLOOR BOARD NO.2 (See page 21-116)
 3. REMOVE DECK FLOOR BOX REAR (See page 21-116)
 4. REMOVE REAR FLOOR BOARD NO.3 (See page 21-116)
 5. DISCONNECT BATTERY NEGATIVE TERMINAL (See page 21-116)
 6. REMOVE SERVICE PLUG GRIP (See page 21-116)
 7. REMOVE DECK TRIM COVER REAR (See page 21-54)
 8. REMOVE TONNEAU COVER ASSY (See page 21-54)
 9. REMOVE REAR SEAT CUSHION ASSY (See page 21-54)
 10. REMOVE REAR FLOOR BOARD NO.1 (See page 21-54)
 11. REMOVE REAR SIDE SEAT BACK FRAME LH (See page 21-54)
 12. REMOVE REAR FLOOR BOARD NO.4 (See page 21-54)
 13. REMOVE DECK FLOOR BOX LH (See page 21-54)
 14. REMOVE DECK TRIM SIDE PANEL ASSY LH (See page 21-54)
 15. REMOVE BATTERY CARRIER BRACKET (See page 21-54)
 16. REMOVE BATTERY CARRIER PANEL NO.6 (See page 21-54)
 17. REMOVE JUNCTION TERMINAL (See page 21-54)

NOTICE:

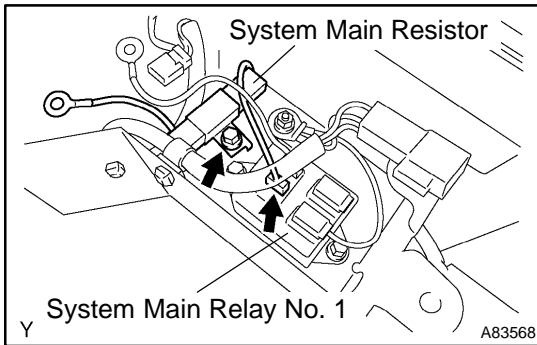
Wear insulating gloves.



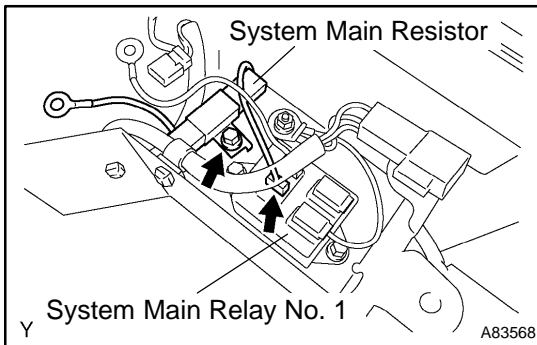
18. SEPARATE FRAME WIRE

NOTICE:

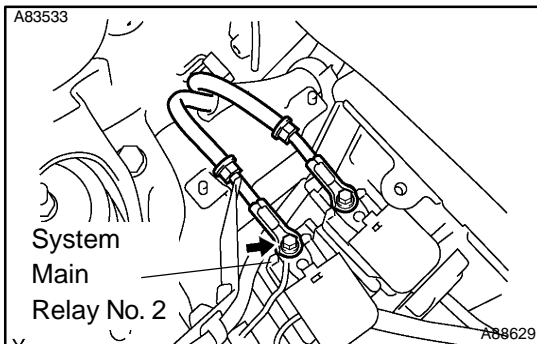
- Wear insulating gloves.
 - Insulate the removed terminals with insulating tape.
- (a) Remove the nut, then disconnect the frame wire from the system main relay No. 2.

**19. REMOVE SYSTEM MAIN RESISTOR****NOTICE:****Wear insulating gloves.**

- (a) Disconnect the connector from the system main relay No. 1.
- (b) Remove the bolt and system main resistor.

**20. INSTALL SYSTEM MAIN RESISTOR****NOTICE:****Wear insulating gloves.**

- (a) Install the system main resistor with the bolt.
Torque: 3.4 N·m (35 kgf·cm, 30 in·lbf)
- (b) Install the connector to the system main relay No. 1.

21. INSPECT CONTACT CONDITION (See page 21-83)**NOTICE:****Wear insulating gloves.****22. INSTALL FRAME WIRE****NOTICE:****Wear insulating gloves.**

- (a) Temporarily fasten the system main resistor terminal and frame wire, in that order, and tighten a new nut.
Torque: 5.6 N·m (57 kgf·cm, 50 in·lbf)

23. INSTALL JUNCTION TERMINAL (See page 21-54)**NOTICE:****Wear insulating gloves.**

24. INSTALL BATTERY CARRIER PANEL NO.6 (See page 21-54)
25. INSTALL BATTERY CARRIER BRACKET (See page 21-54)
26. INSTALL DECK TRIM SIDE PANEL ASSY LH
27. INSTALL DECK FLOOR BOX LH
28. INSTALL REAR FLOOR BOARD NO.4
29. INSTALL REAR SIDE SEAT BACK FRAME LH
30. INSTALL REAR FLOOR BOARD NO.1
31. INSTALL REAR SEAT CUSHION ASSY
32. INSTALL TONNEAU COVER ASSY

- 33. INSTALL DECK TRIM COVER REAR
- 34. INSTALL SERVICE PLUG GRIP (See page [21-116](#))

NOTICE:

Wear insulating gloves.

- 35. CONNECT BATTERY NEGATIVE TERMINAL
Torque: 6.0 N·m (61 kgf·cm, 53 in·lbf)
- 36. INSTALL REAR FLOOR BOARD NO.3
- 37. INSTALL DECK FLOOR BOX REAR
- 38. INSTALL REAR FLOOR BOARD NO.2
- 39. POWER WINDOW CONTROL SYSTEM INITIALIZE (See page [01-28](#))