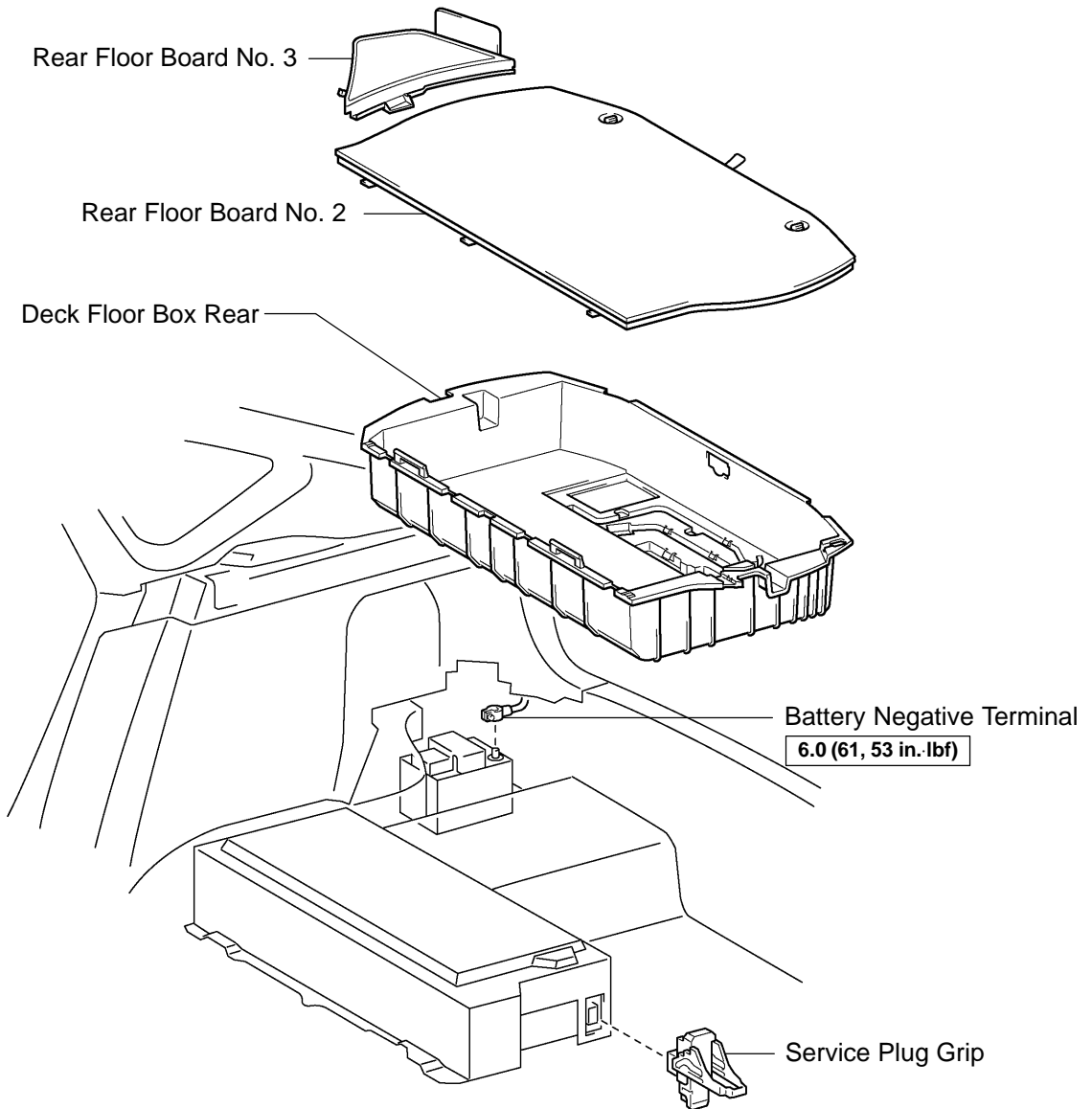


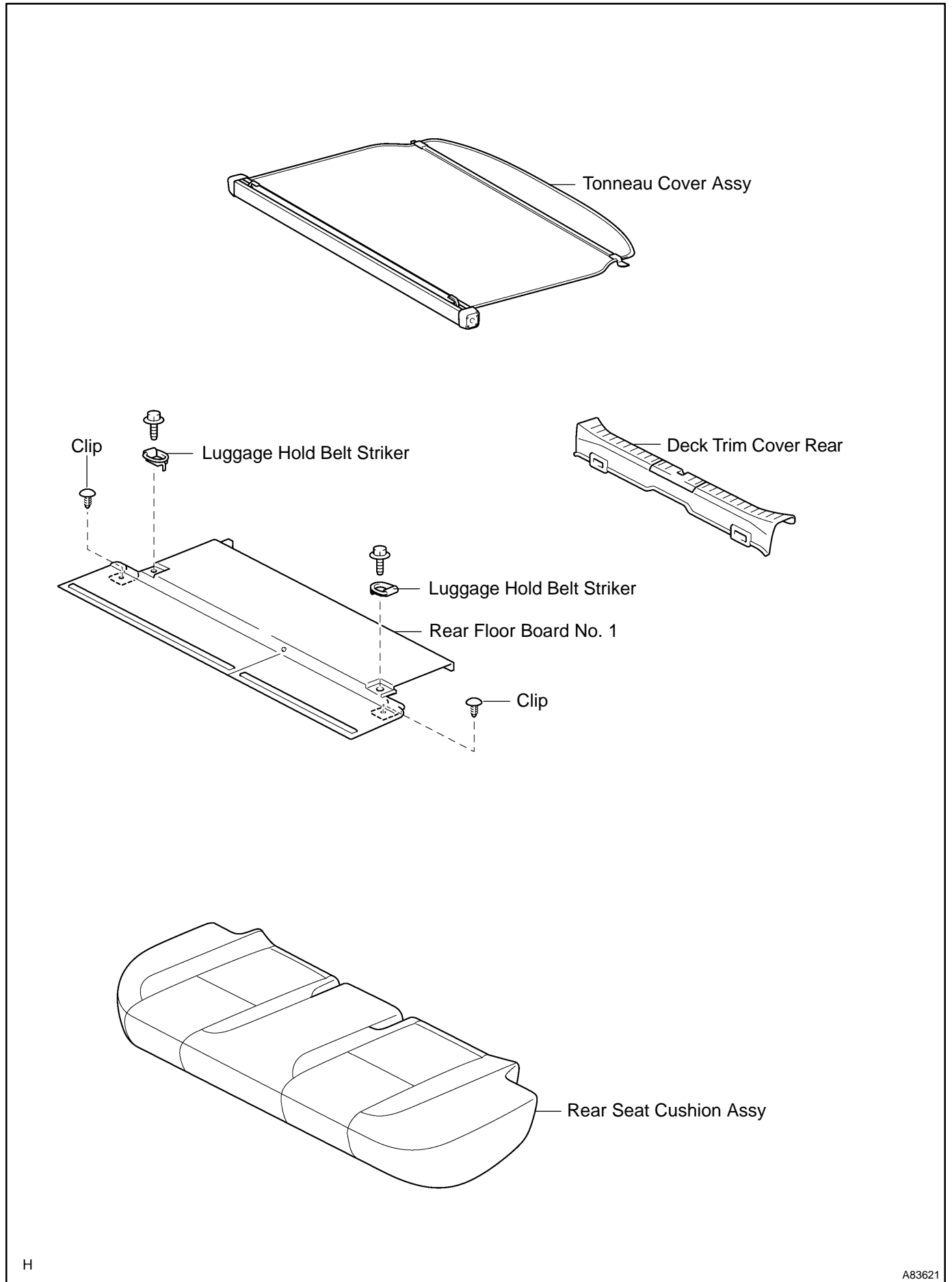
HV BATTERY COMPONENTS

2103M-01



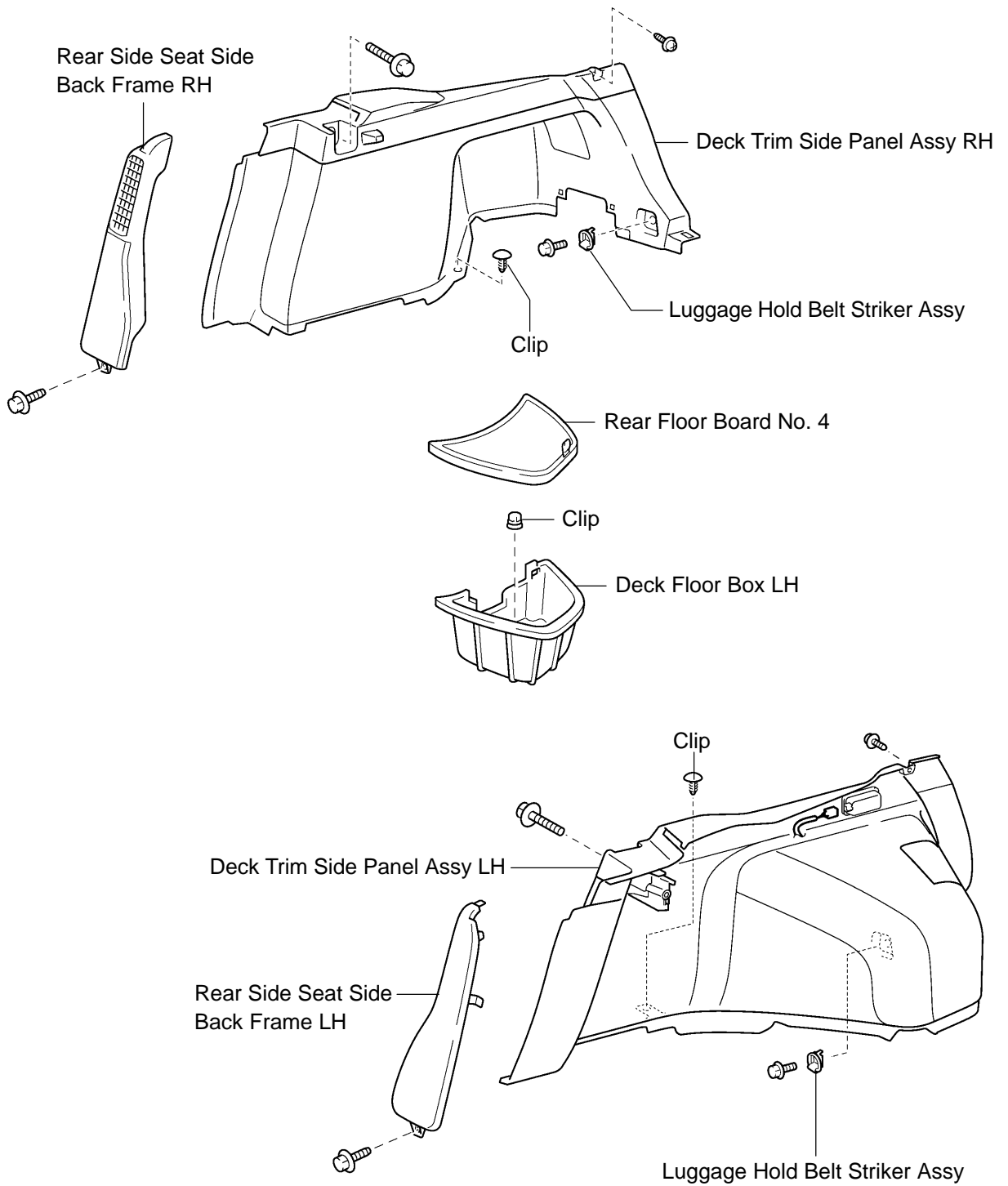
○ N·m (kgf·cm, ft·lbf) : Specified torque

A83616



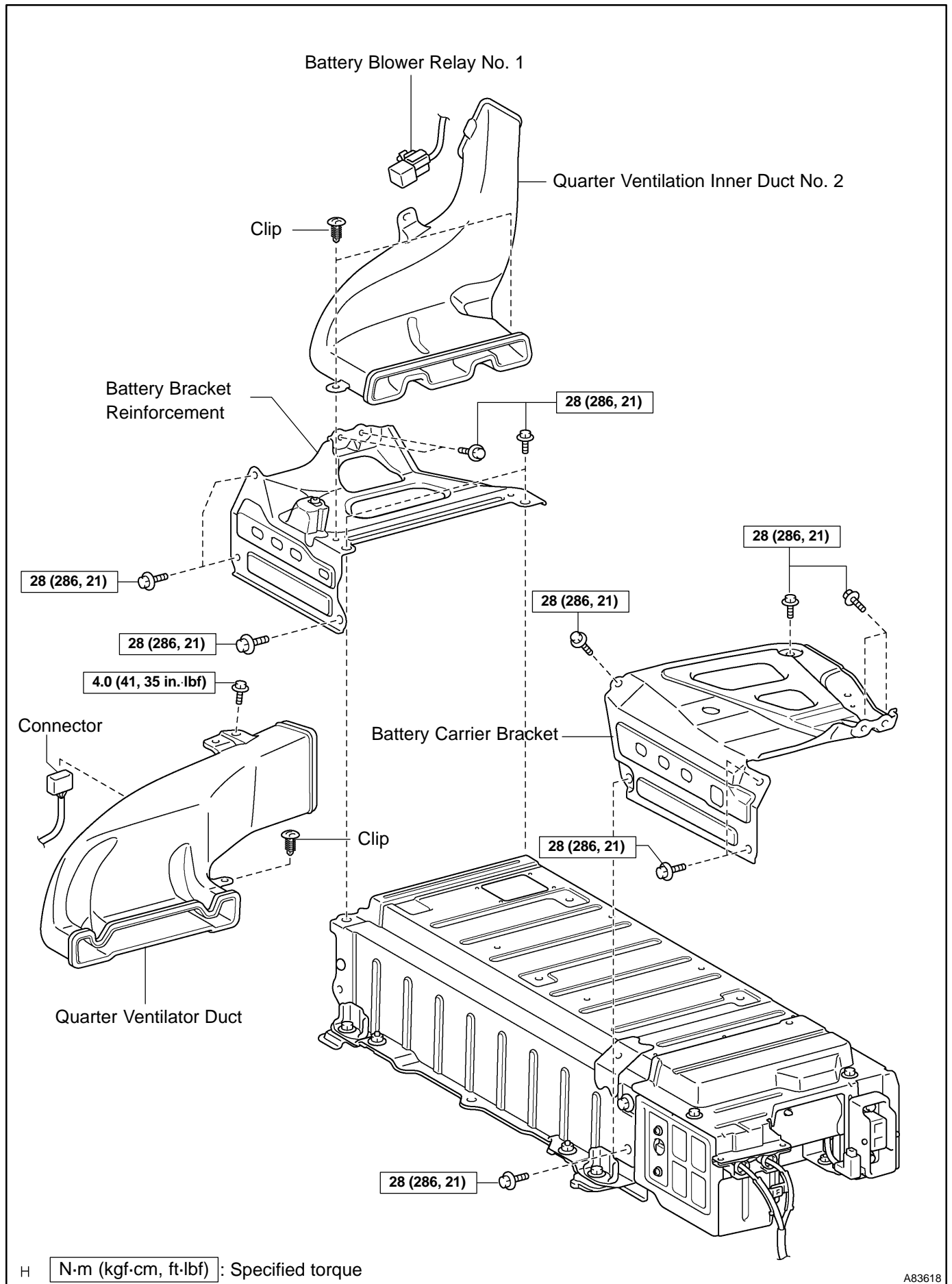
H

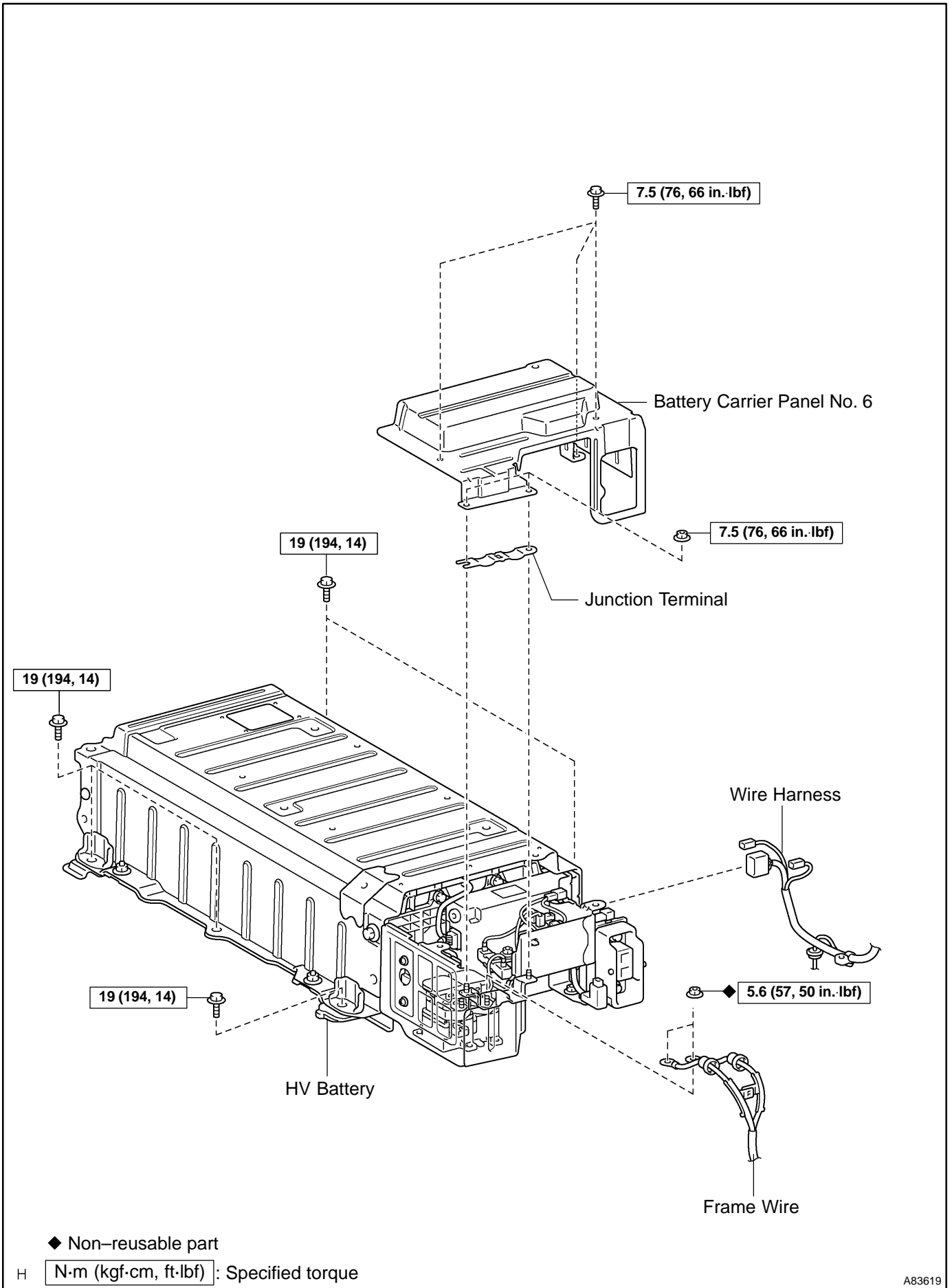
A83621

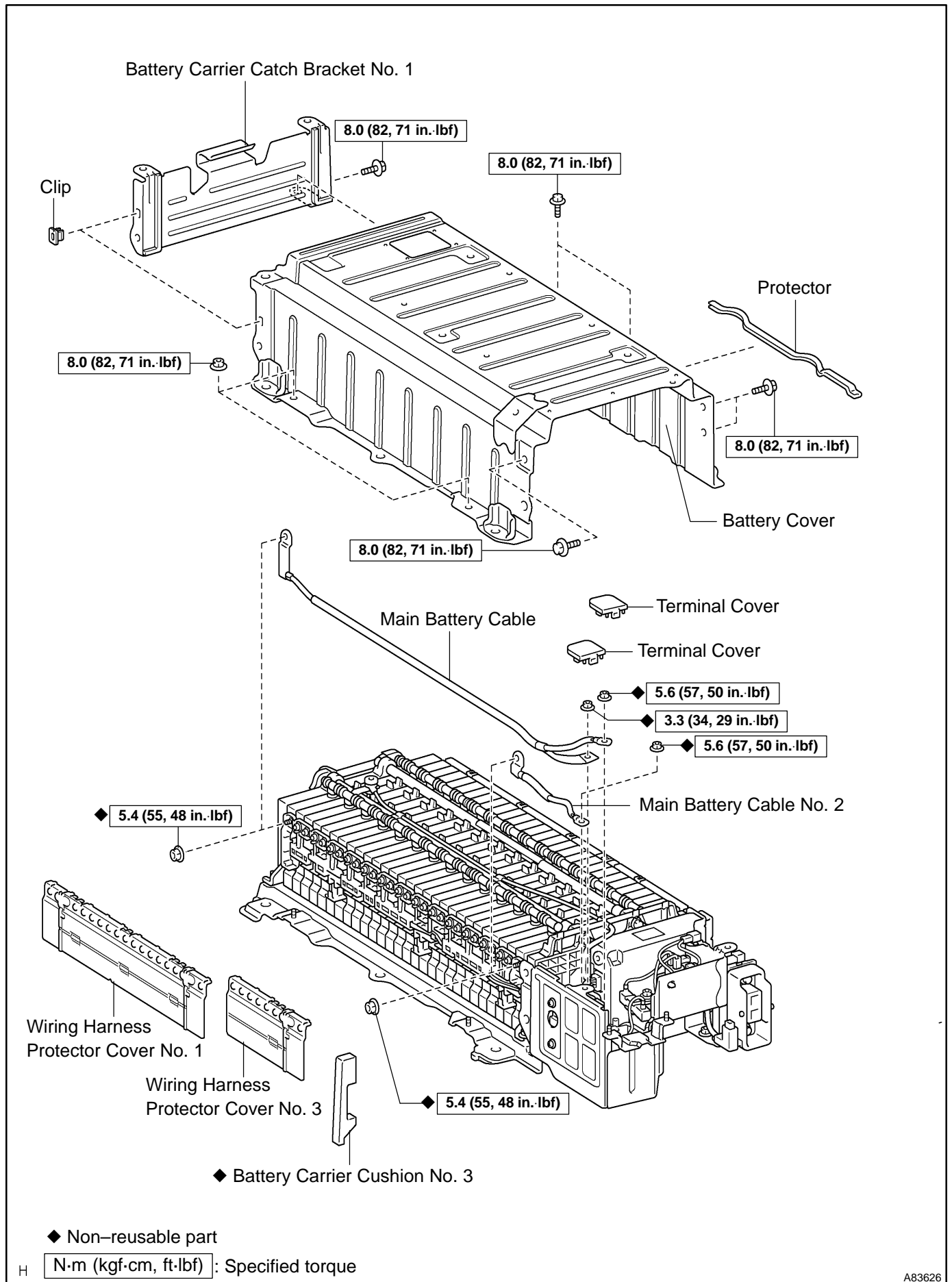


H

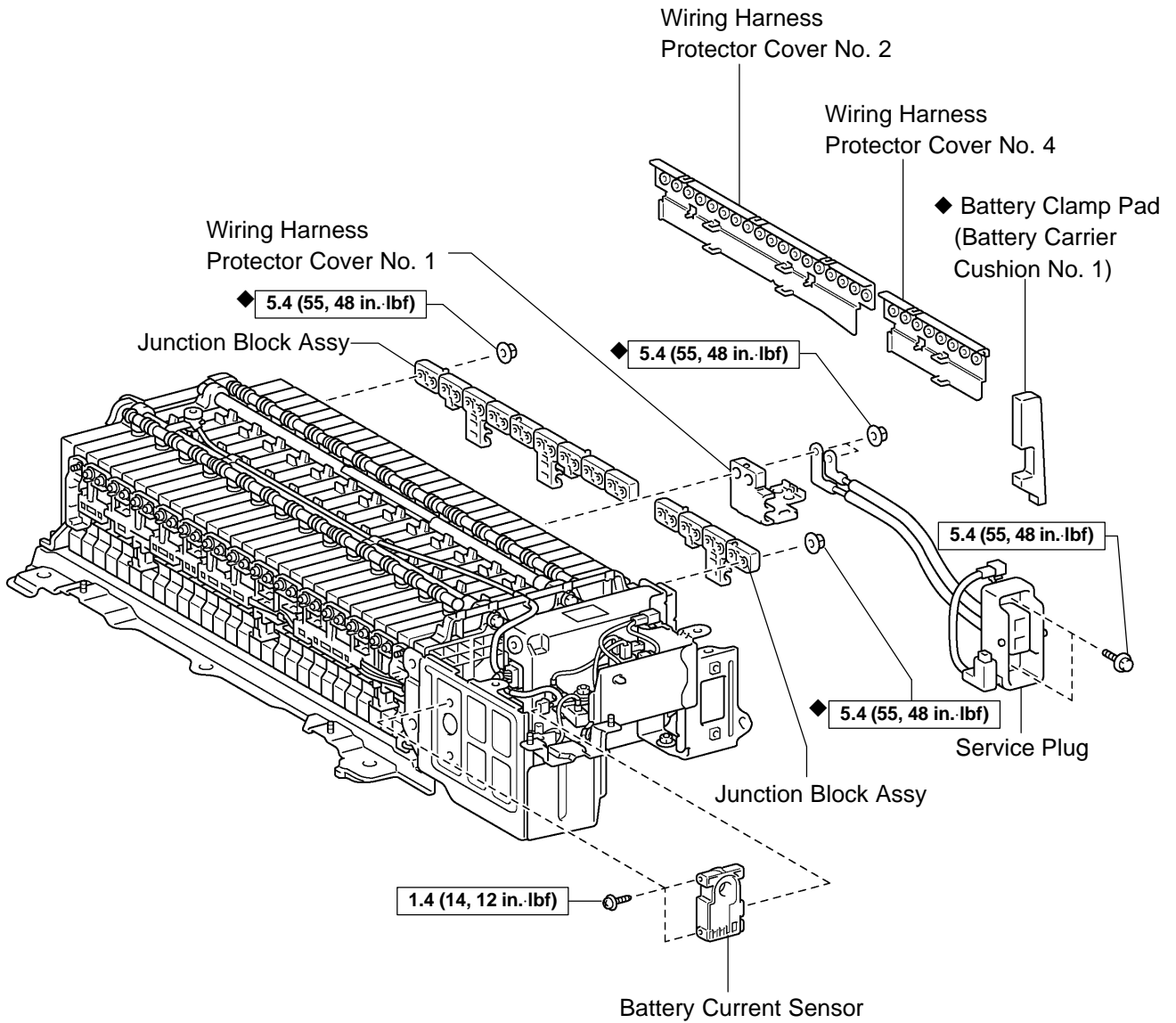
A83620







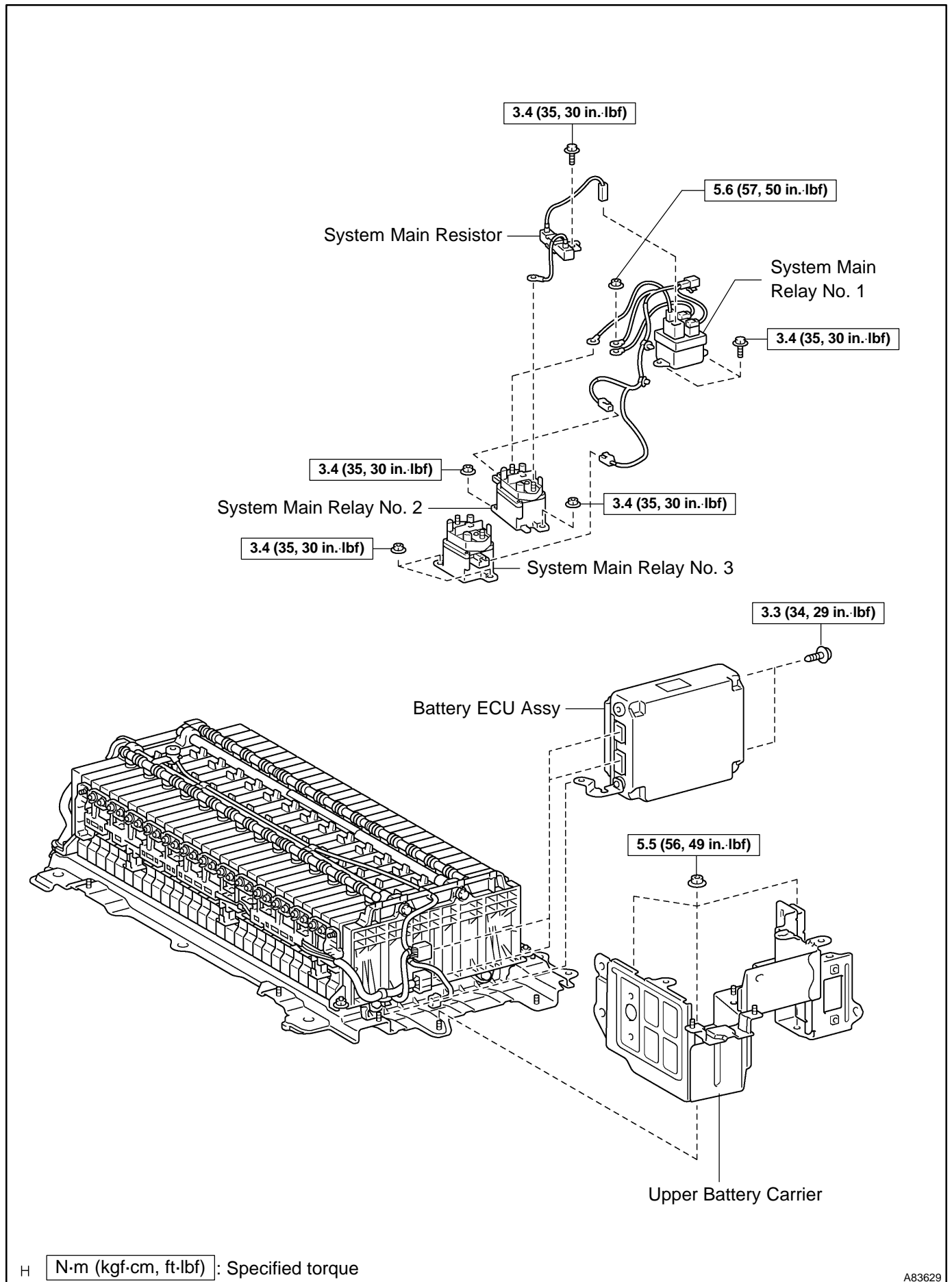
A83626



◆ Non-reusable part

H [N·m (kgf·cm, ft·lbf)] : Specified torque

A83627



A83629

