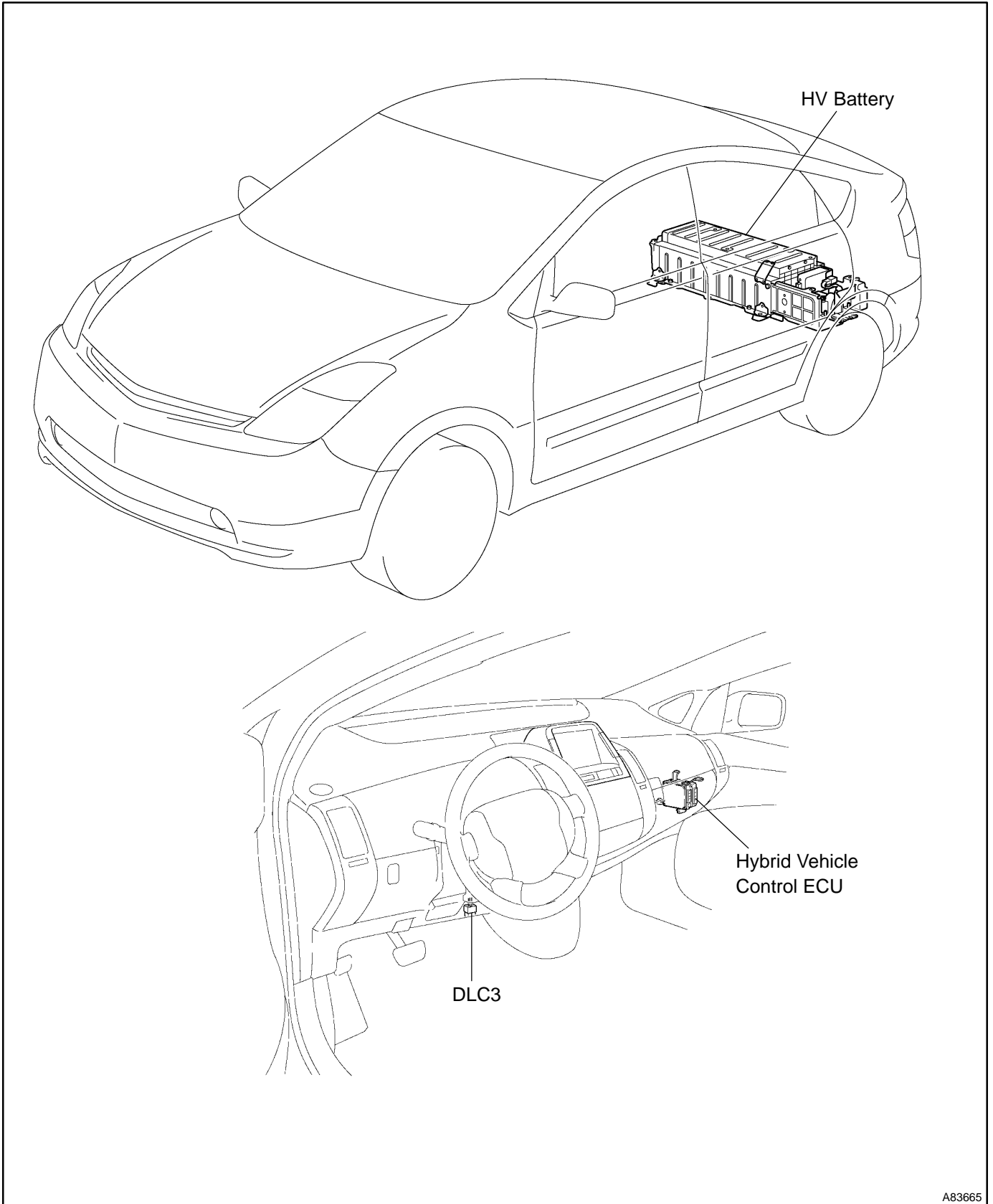
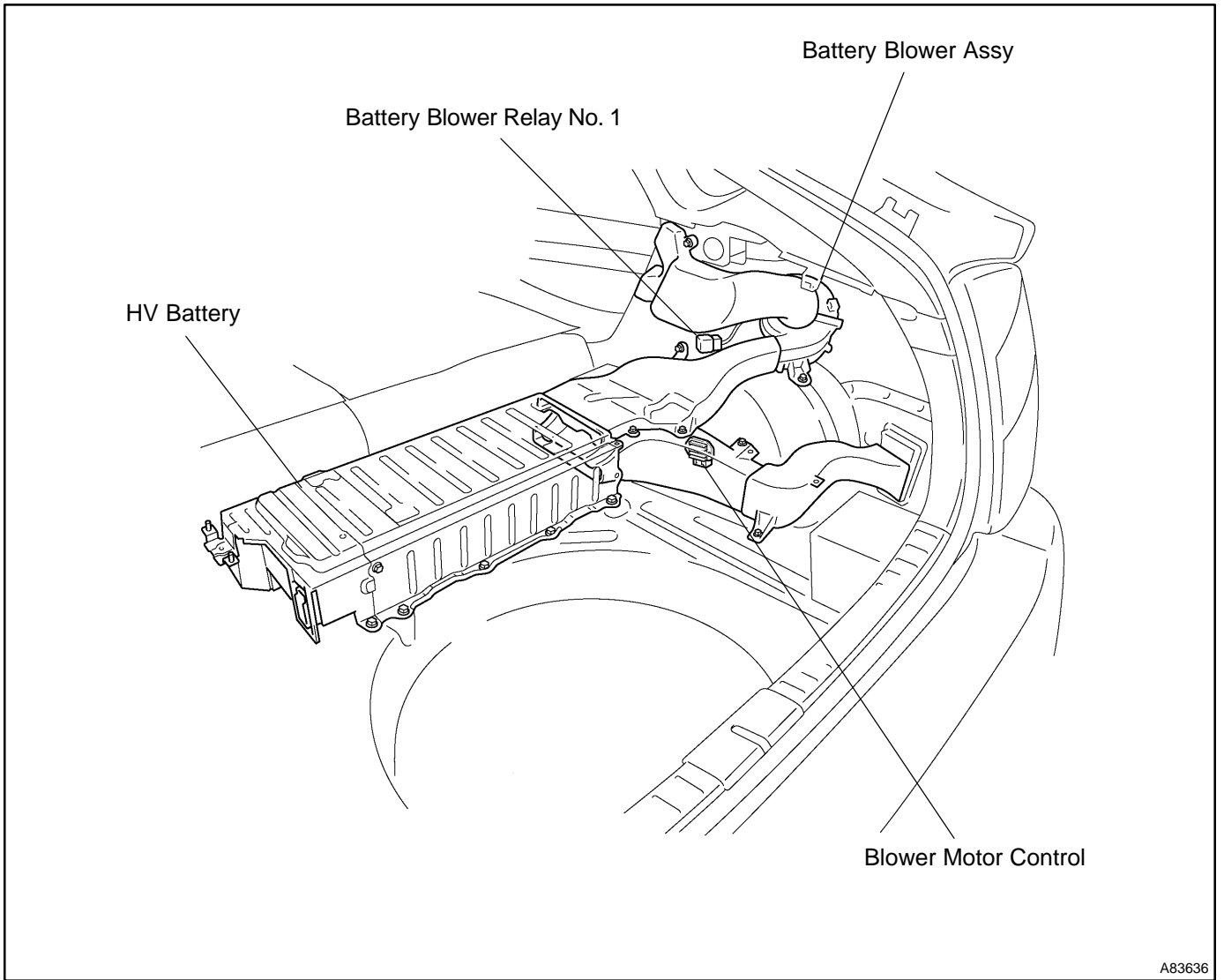


HYBRID BATTERY SYSTEM LOCATION

2103J-01

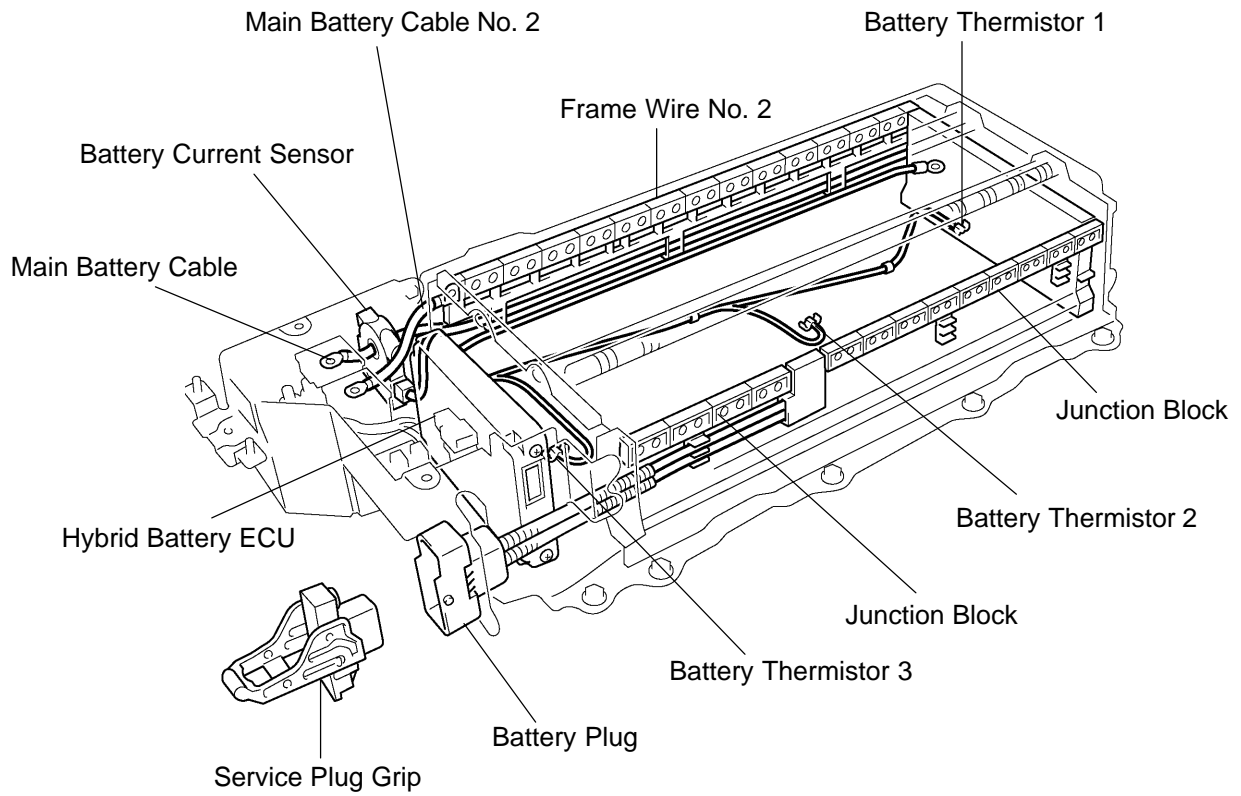


A83665

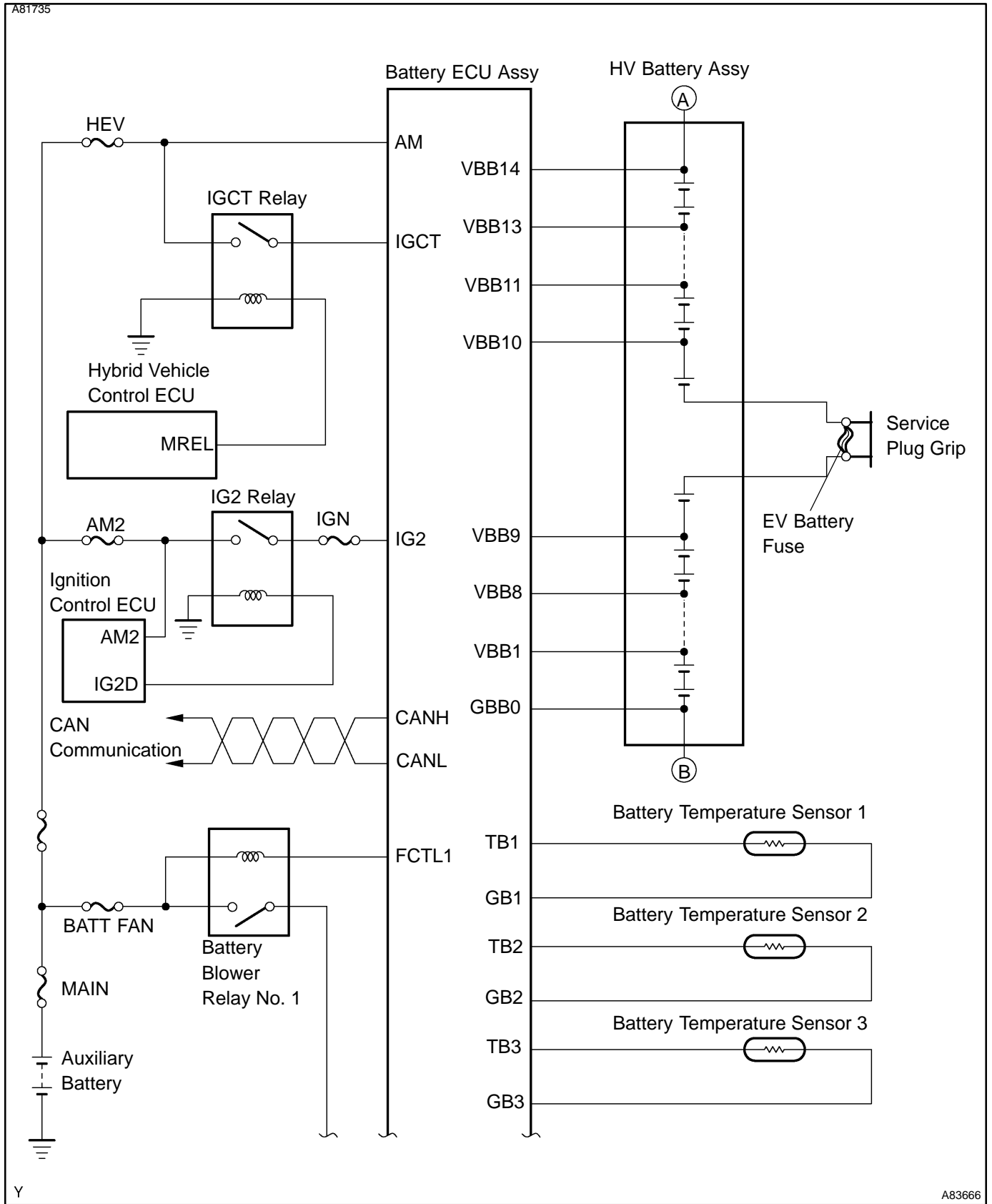


A83636

A83696



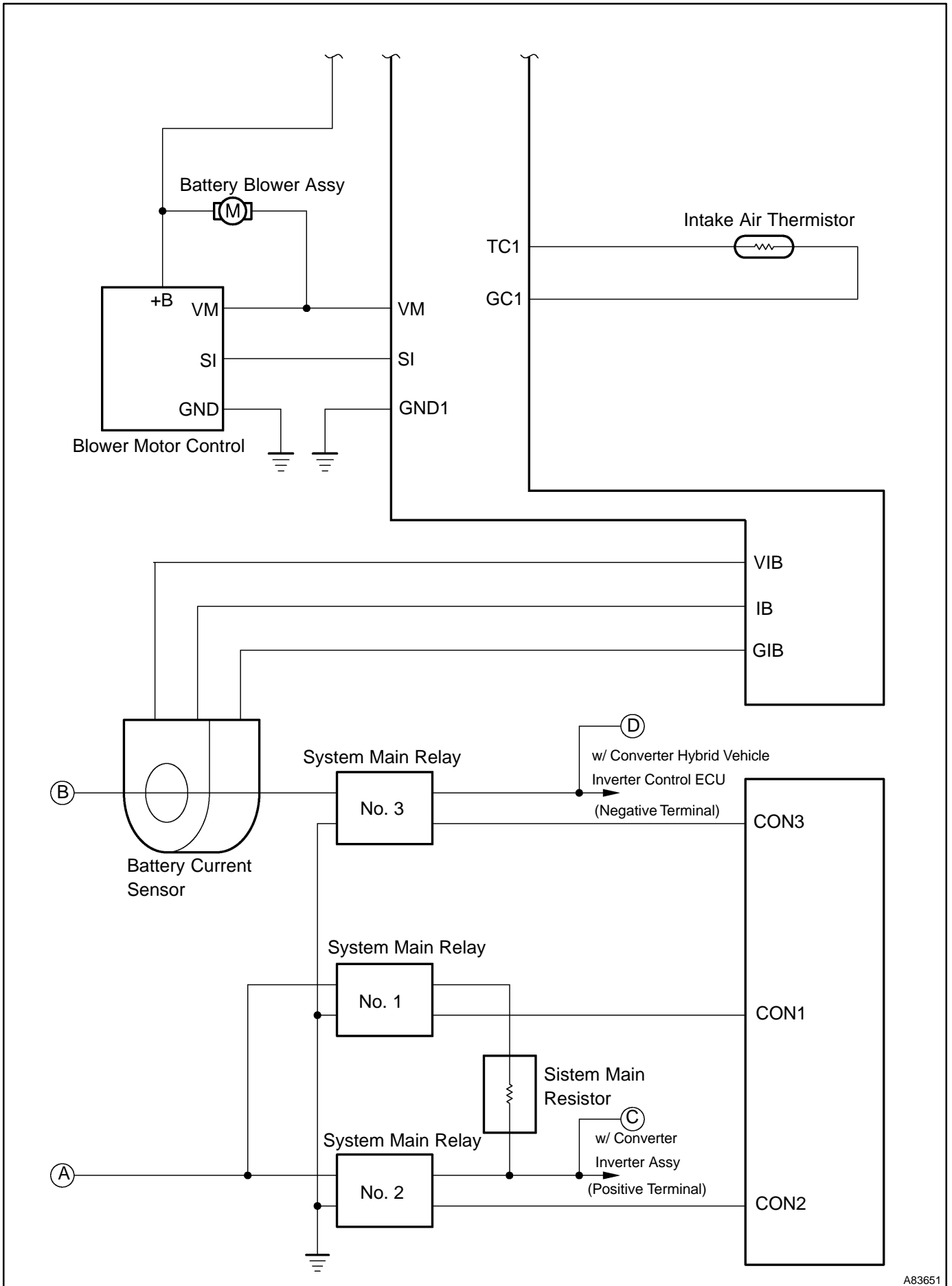
A83637



Y

A83666

HYBRID CONTROL SYSTEM - HYBRID BATTERY SYSTEM



A83651