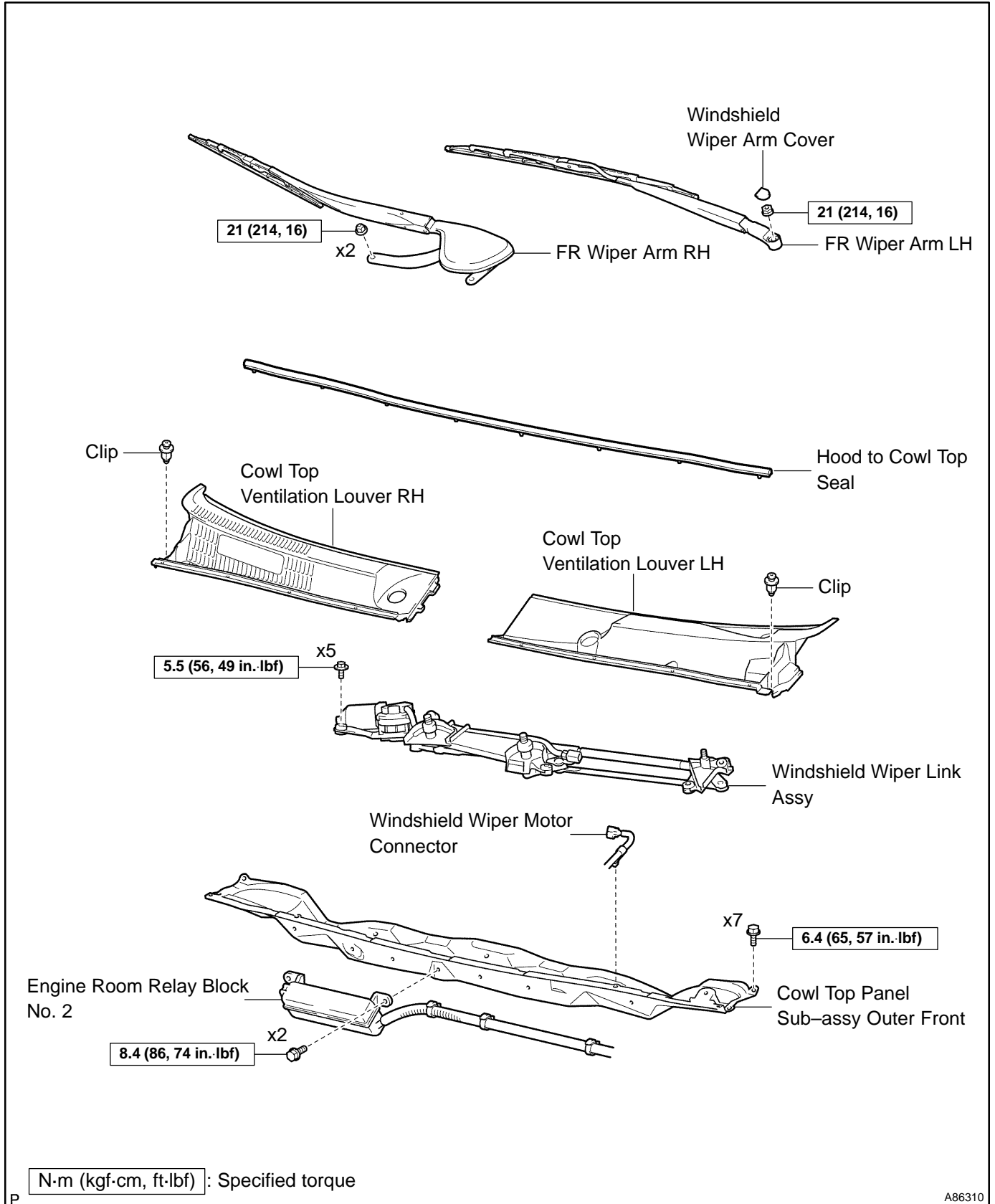
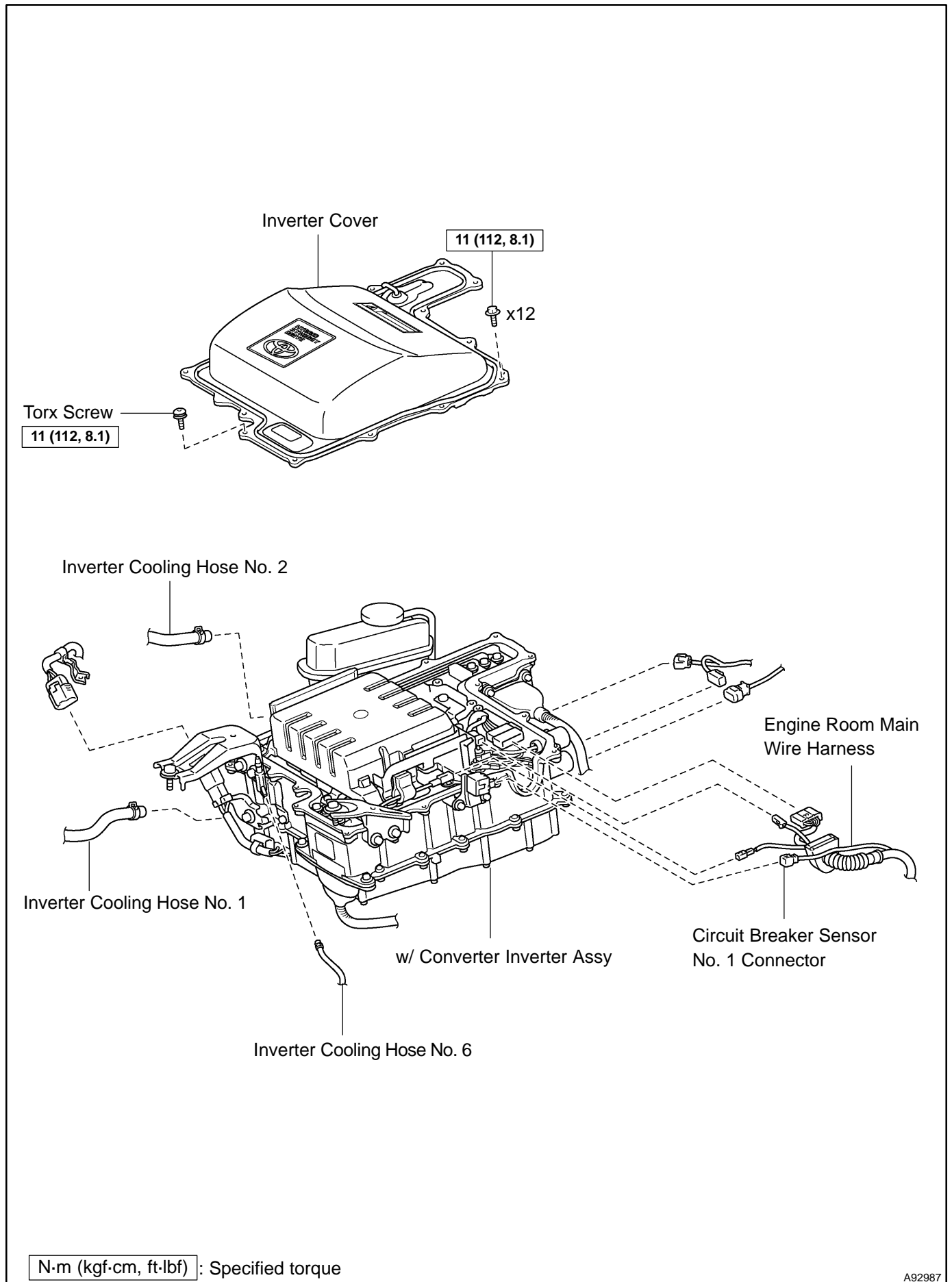


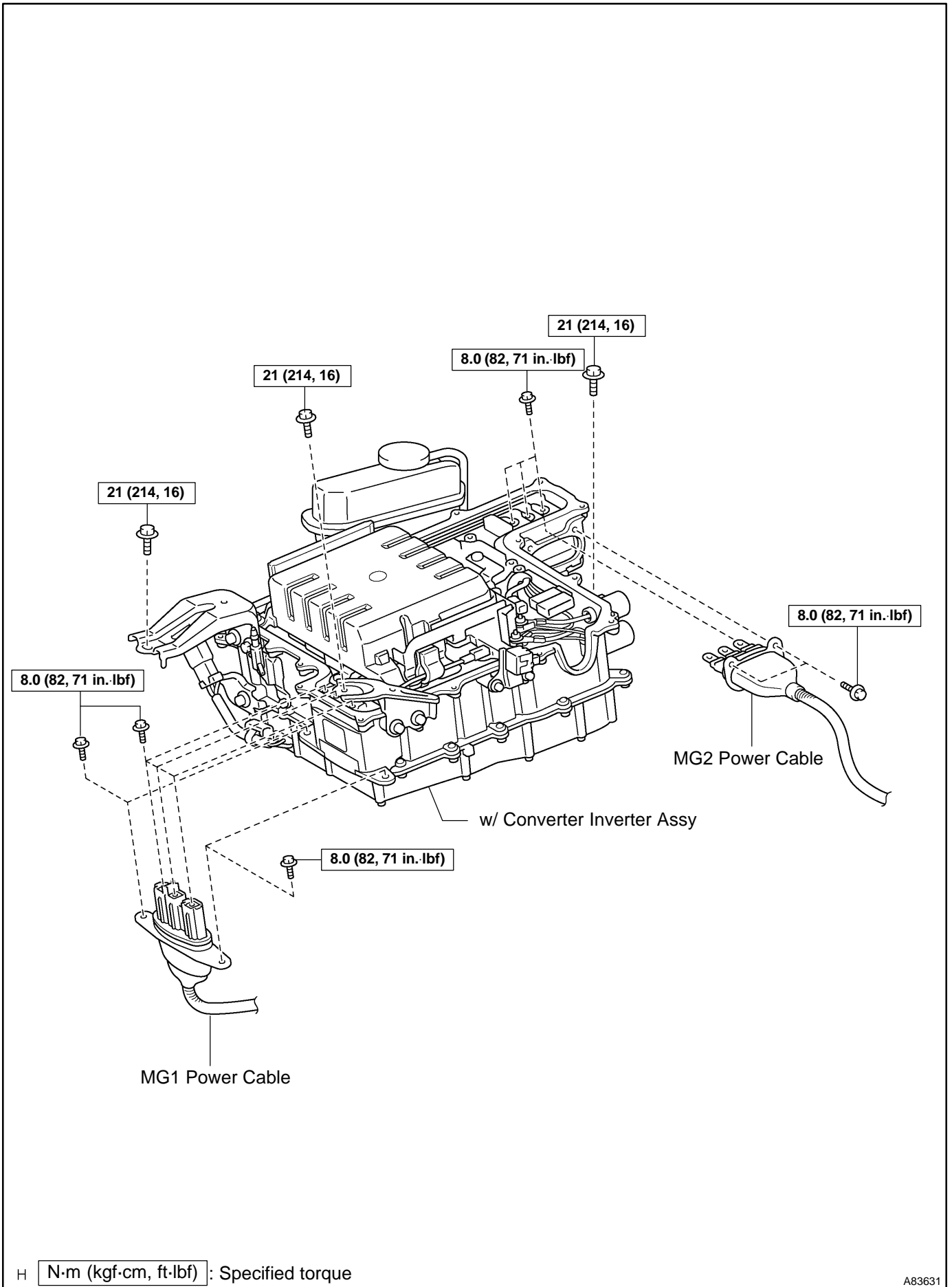
# PARTIAL ENGINE ASSY (1NZ-FXE) COMPONENTS

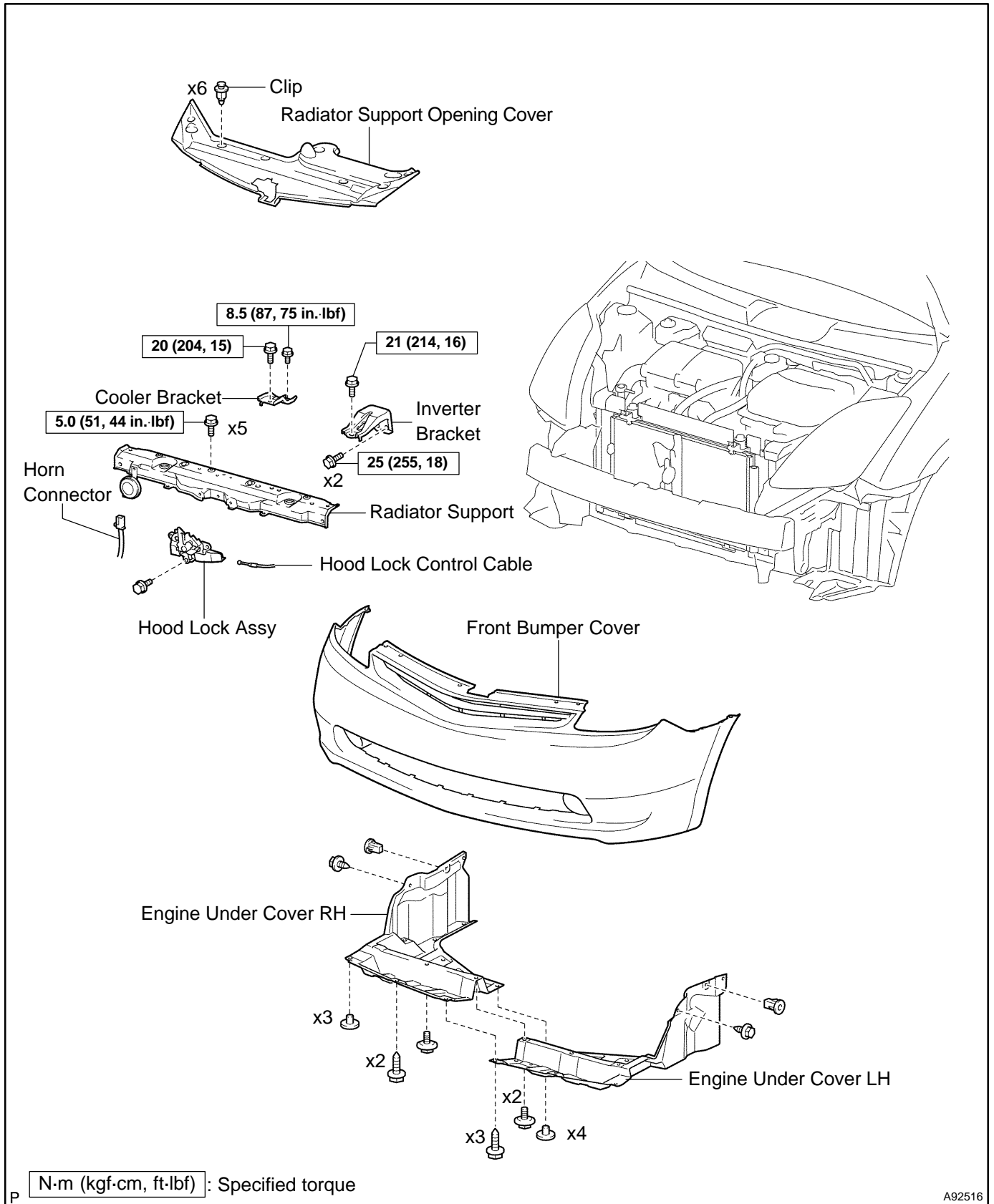
1410N-01

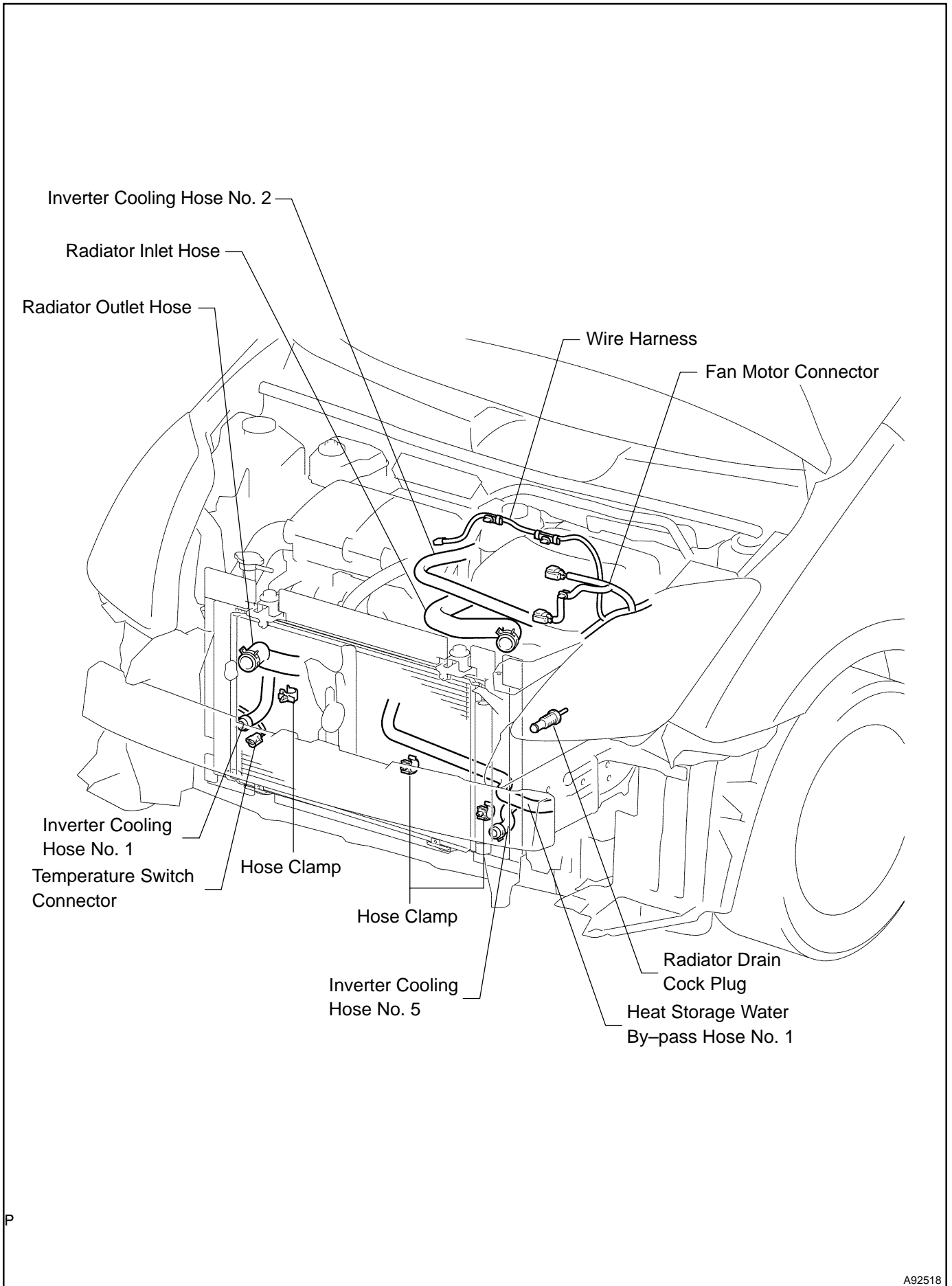


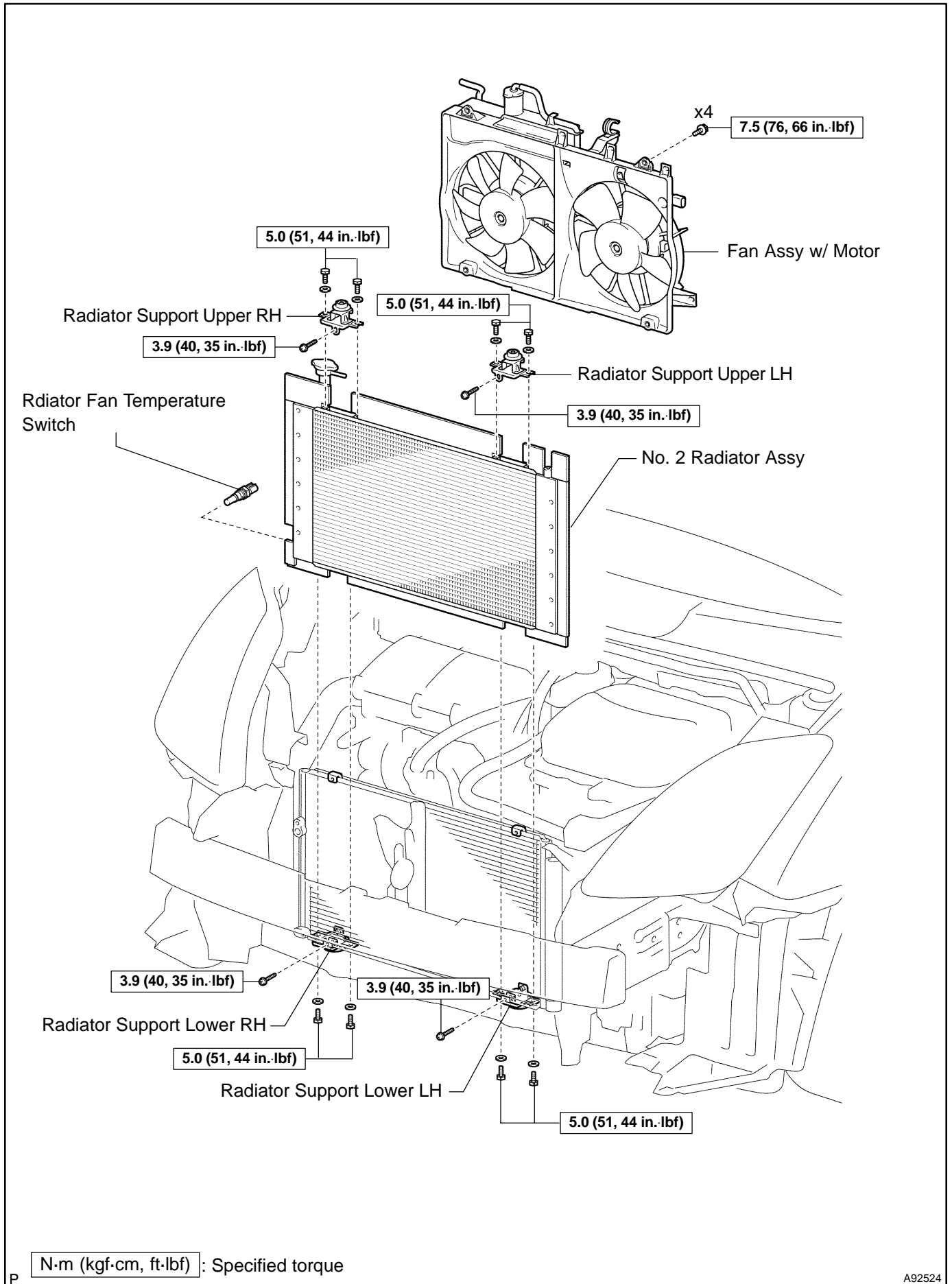


A92987

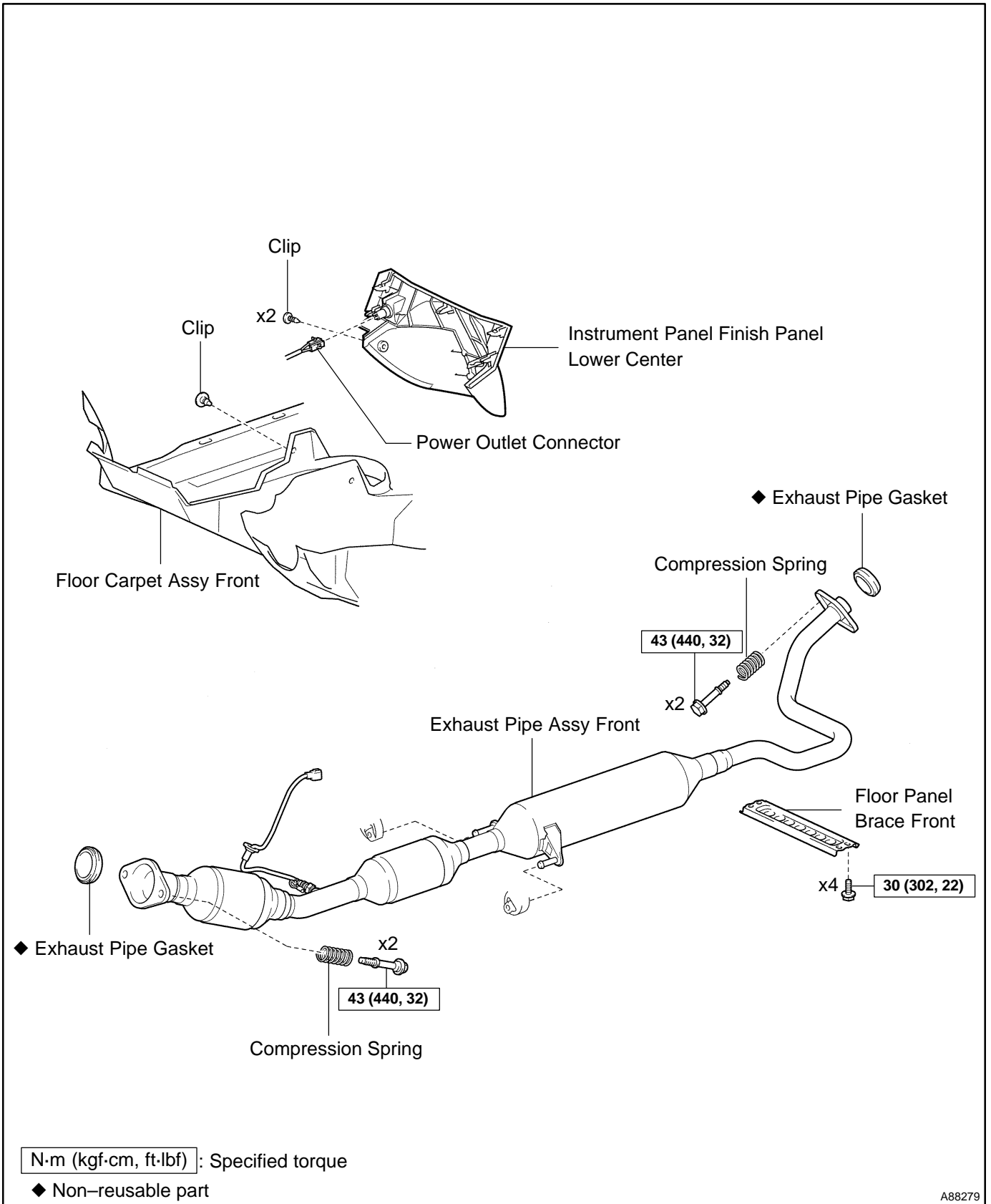


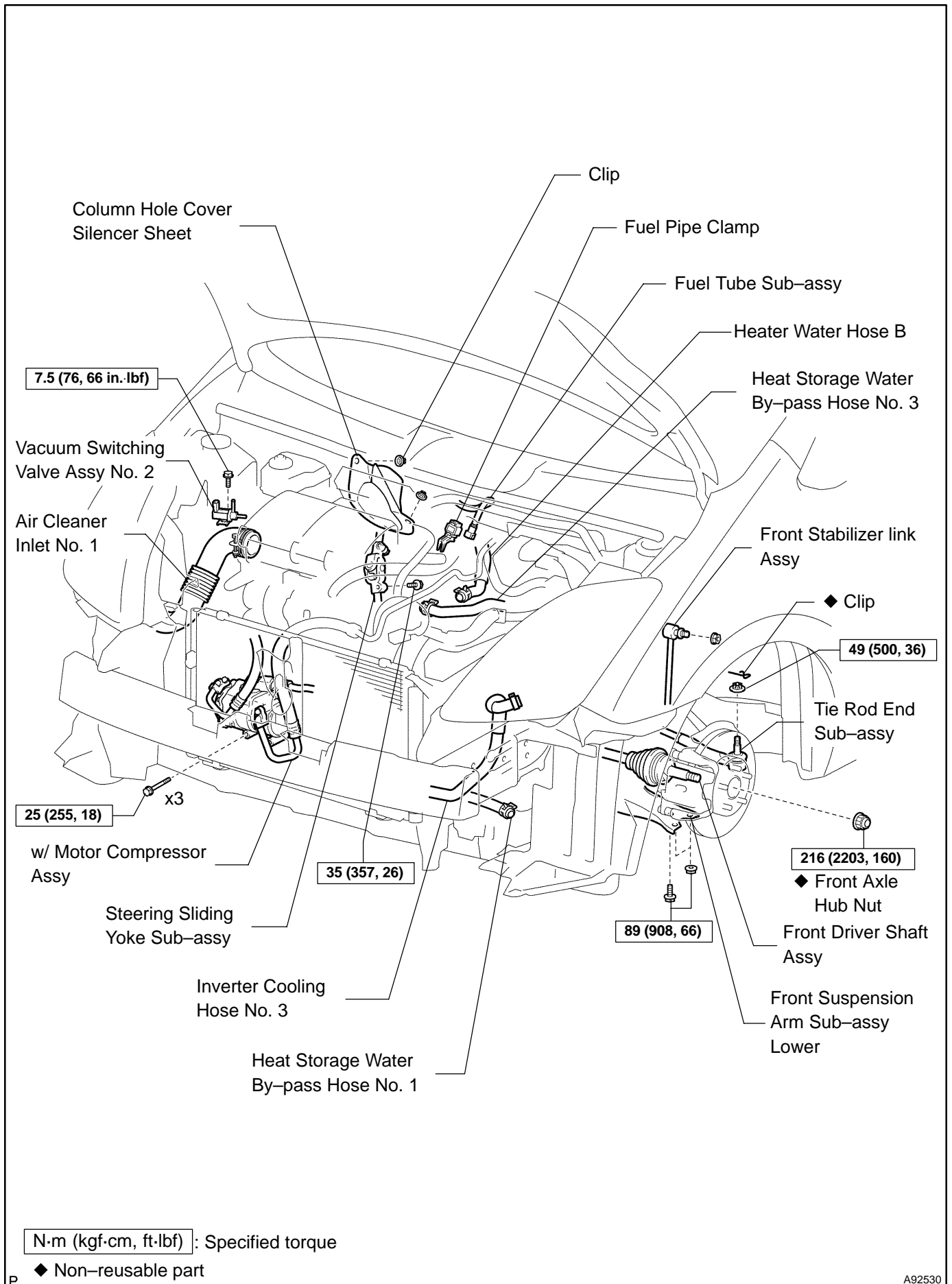






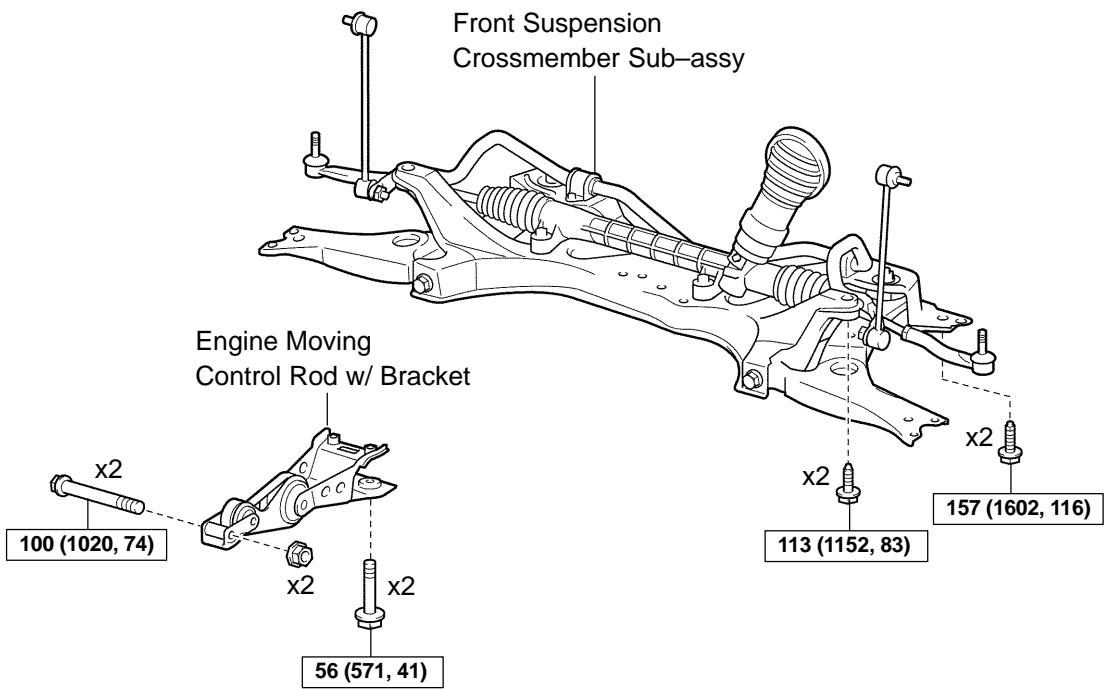
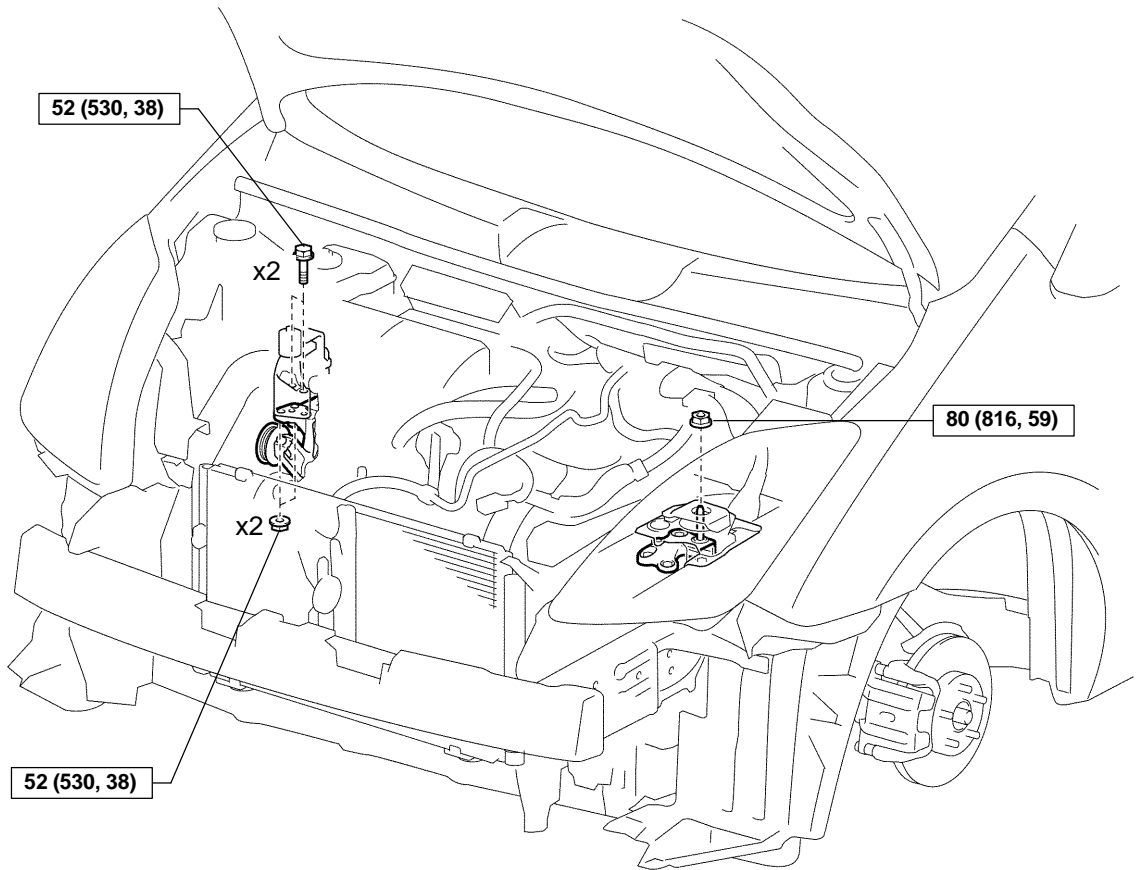
A92524





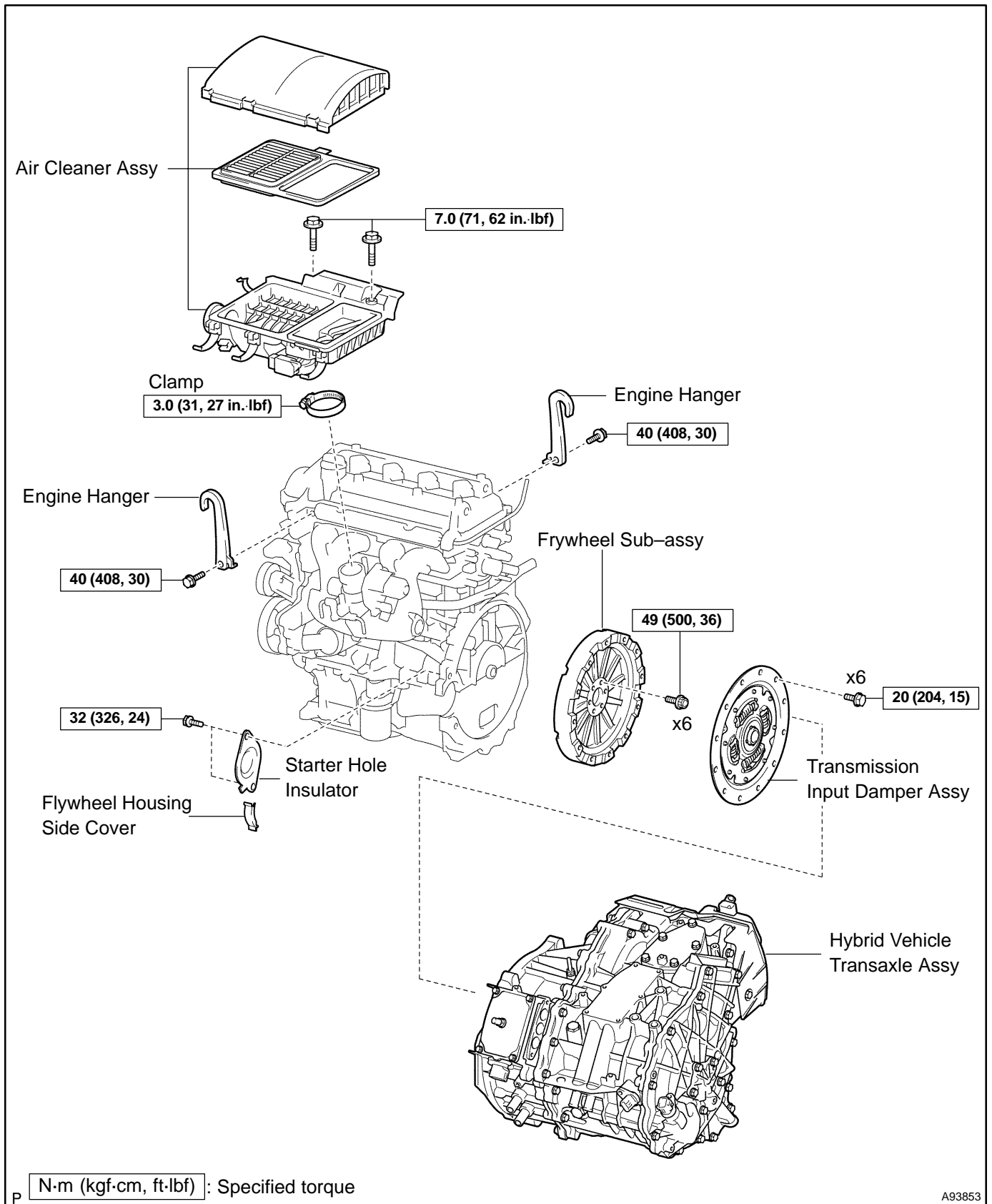
A92530

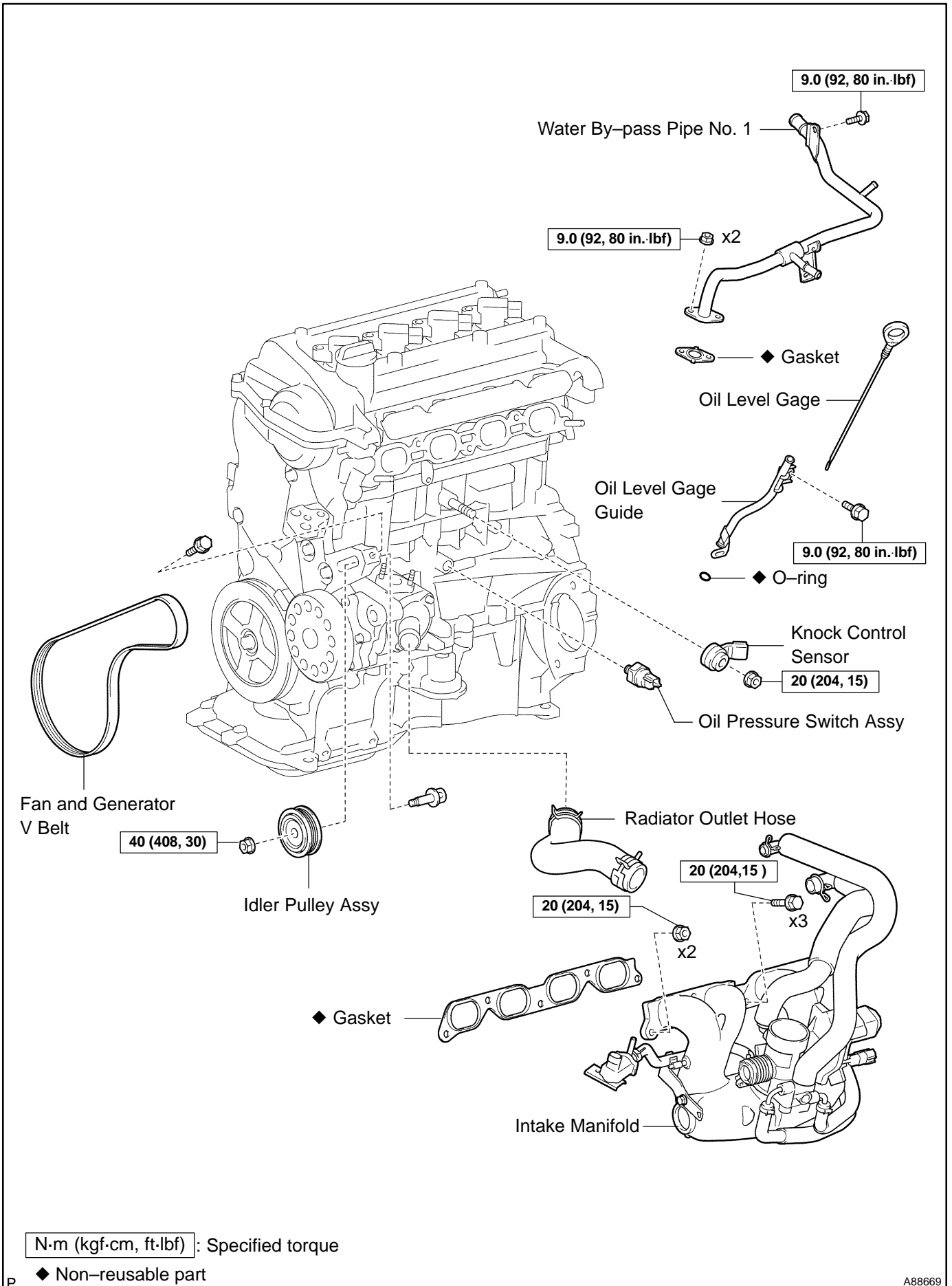


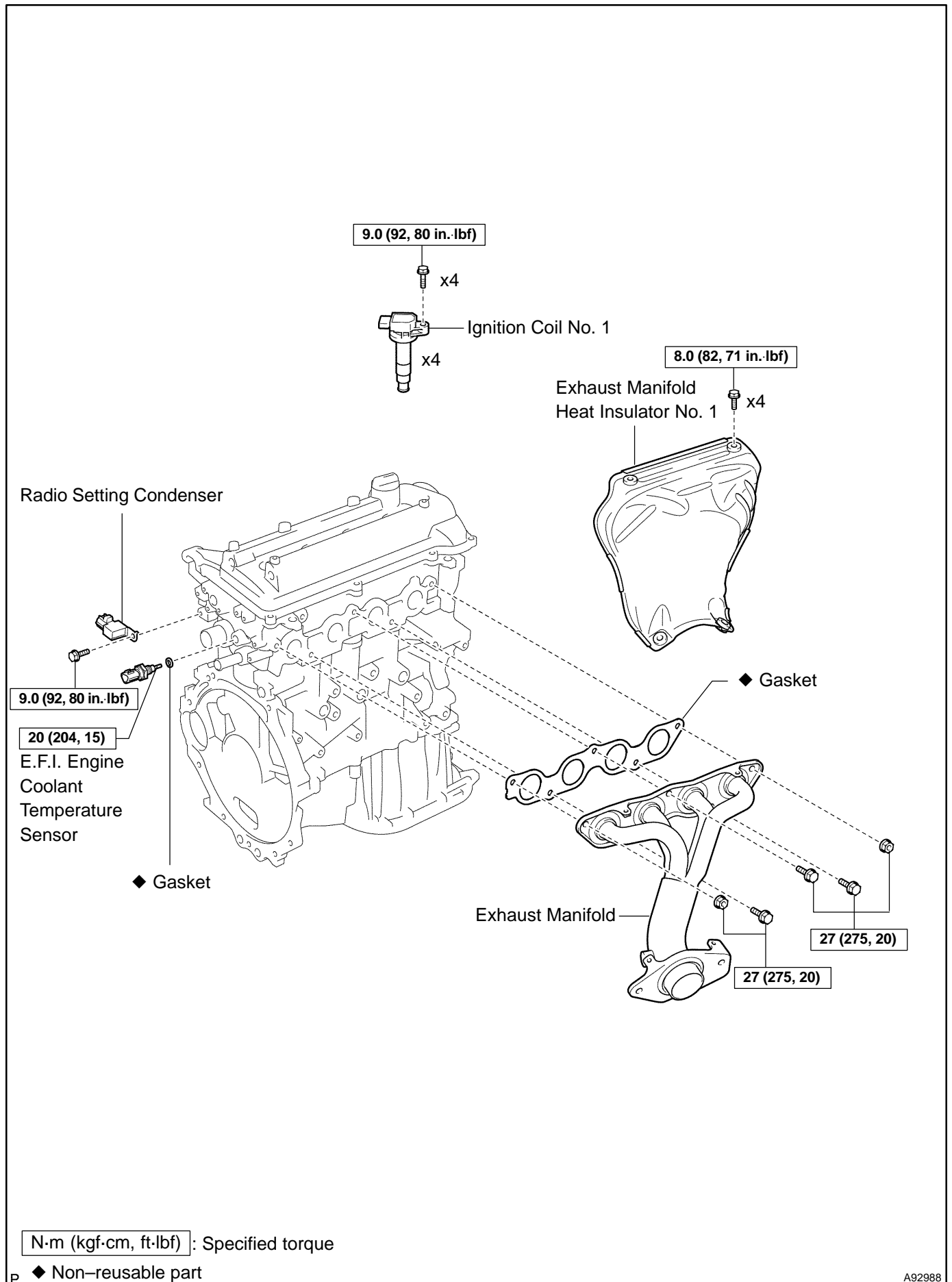


**N·m (kgf·cm, ft·lbf) : Specified torque**

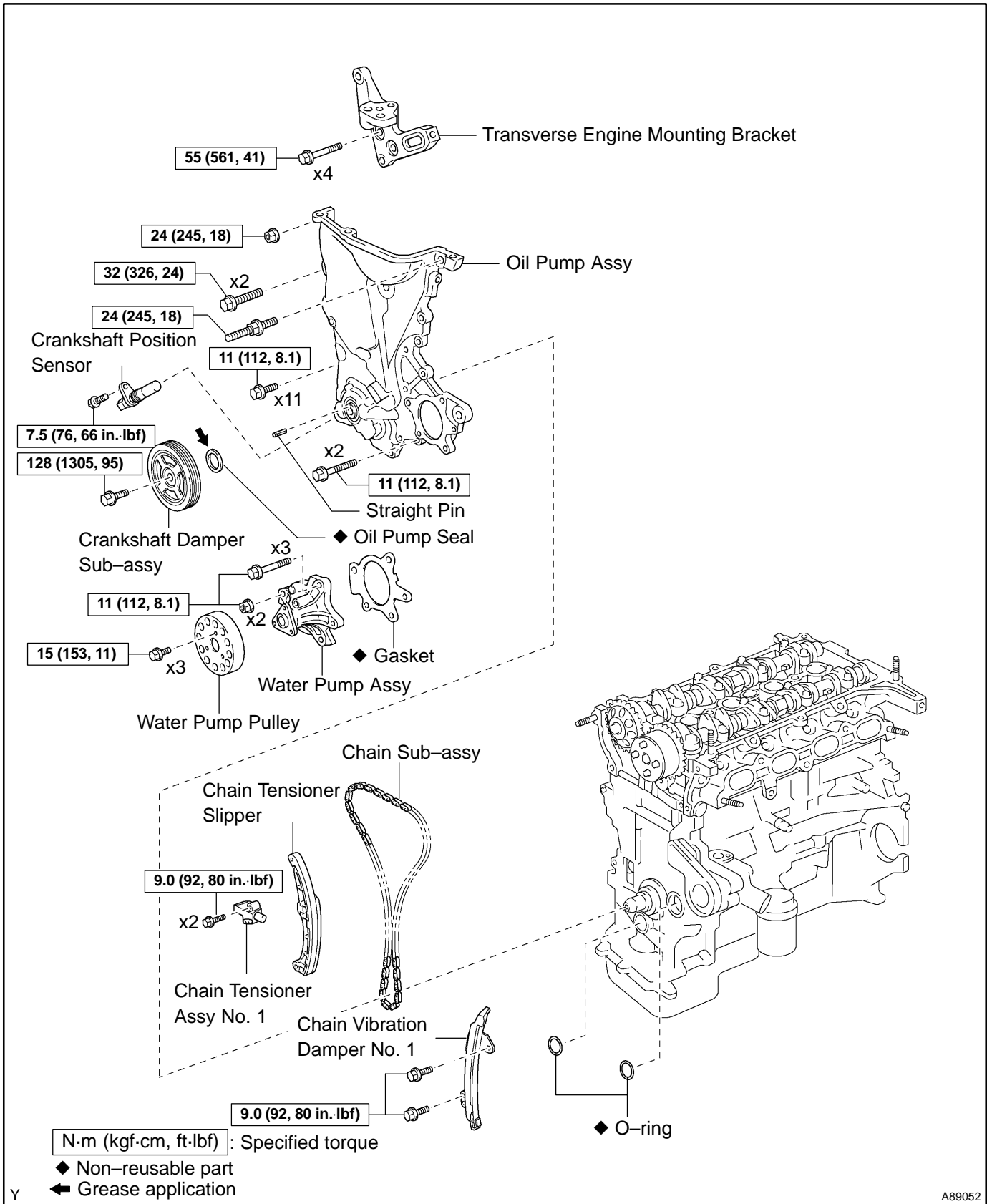
A88666



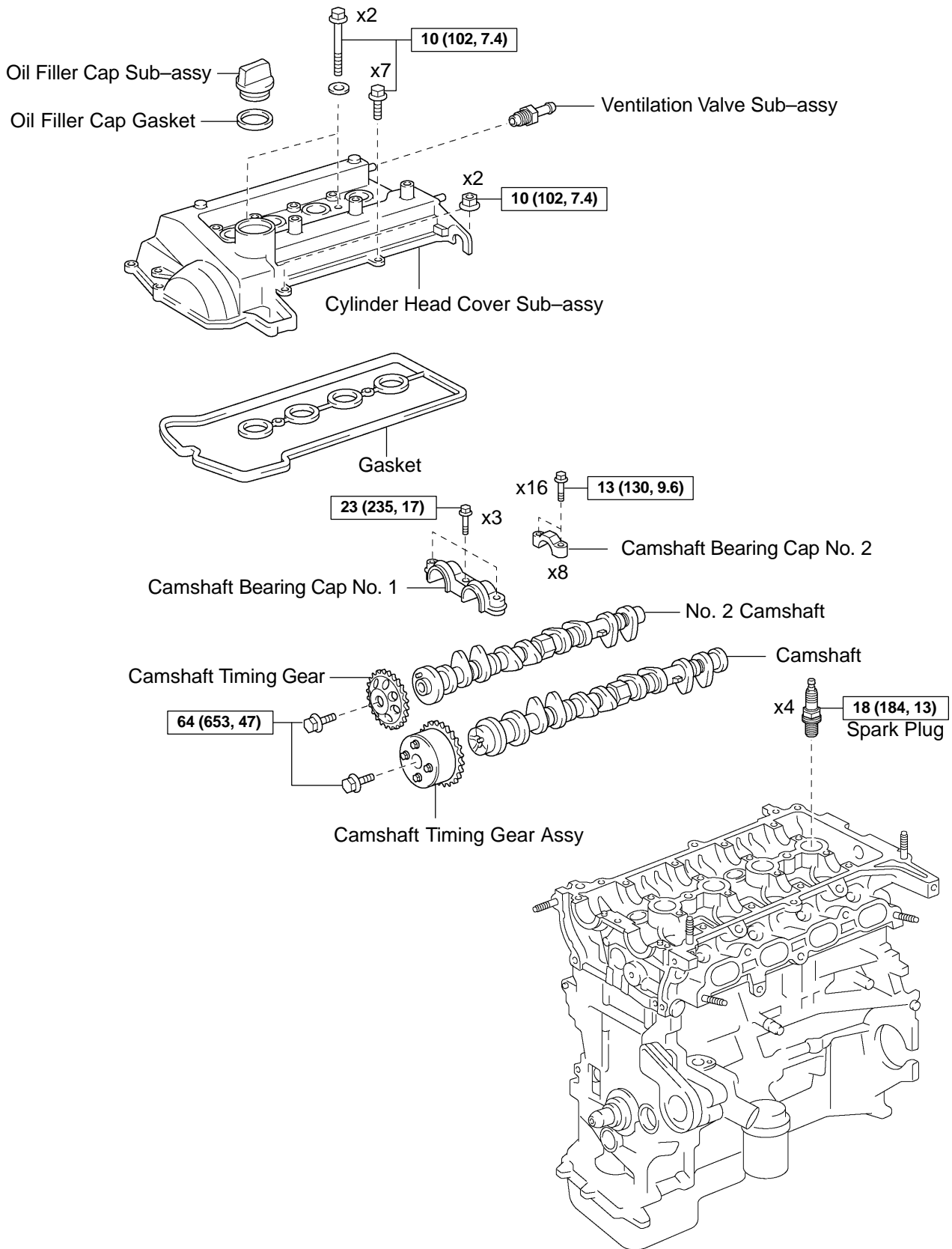




A92988

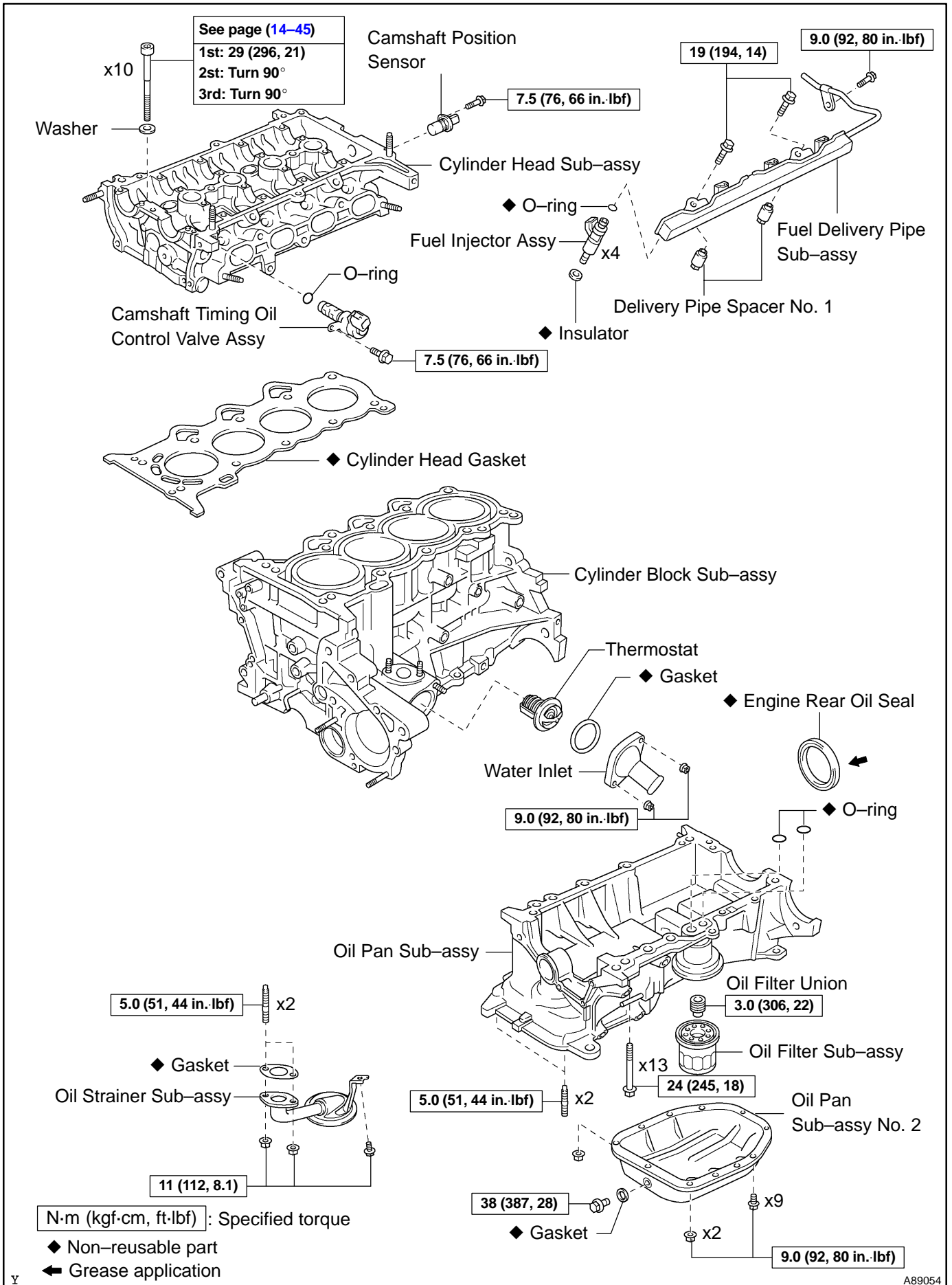


A89052



γ N·m (kgf·cm, ft·lbf) : Specified torque

A89053



A89054