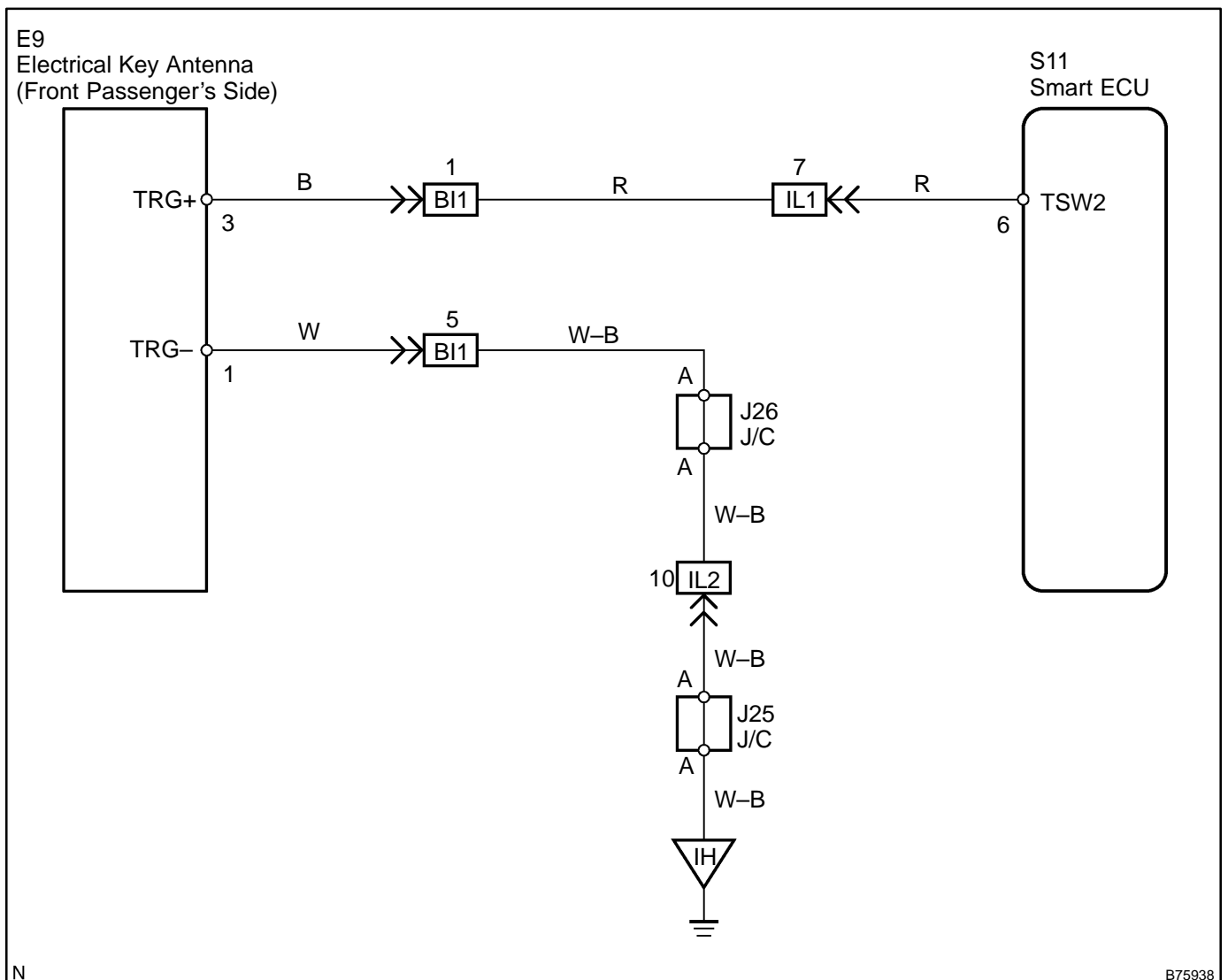


SMART LOCK FUNCTION DOES NOT OPERATE ON PASSENGER DOOR

CIRCUIT DESCRIPTION

When the touch sensor inside the front passenger door outside handle is touched, the smart ECU sends a request signal to the passenger door outside oscillator. The smart key receives this request and transmits its ID code. Upon receiving the ID code, the smart ECU determines that the smart key is outside the vehicle and sends a lock signal to the passenger door lock assembly through the instrument panel J/B (multiplex network body ECU).

WIRING DIAGRAM



N

B75938

INSPECTION PROCEDURE

1 CHECK MANUAL DOOR LOCK OPERATION

- (a) Check that the manual door lock function operates normally.

OK: Manual door lock function operates normally.

NG

**Go to POWER DOOR LOCK CONTROL SYSTEM
(See page 05-2074)**

OK

2 READ VALUE OF HAND-HELD TESTER

- (a) Connect the hand-held tester (with CAN VIM) to the DLC3.
 (b) Turn the power switch ON (IG) and press the hand-held tester main switch ON.
 (c) Select the items below in the DATA LIST and read the displays on the hand-held tester.

Smart ECU:

Item		Normal Condition	Diagnostic Note
P TRIGGER SW	P-door trigger switch/ ON or OFF	ON: Lock switch is pushed OFF: Lock switch is not pushed	-

OK: "ON" (lock switch is pressed) appears on the screen.

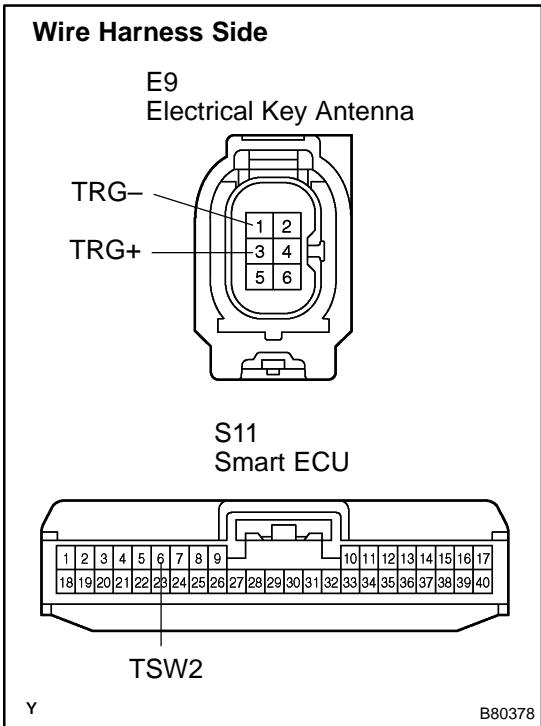
NG

Go to step 3

OK

REPLACE SMART ECU

3 CHECK WIRE HARNESS (ELECTRICAL KEY ANTENNA - SMART ECU AND BODY GROUND)



- (a) Disconnect E9 antenna connector.
- (b) Disconnect S11 ECU connector.
- (c) Measure the resistance of the wire harness side connectors.

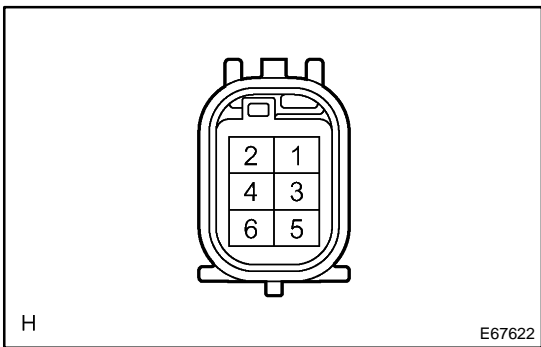
Standard:

Tester Connection	Specified Condition
E9-3 (TRG+) - S11-6 (TSW2)	Below 1 Ω
E9-1 (TRG-) - Body ground	Below 1 Ω
E9-3 (TRG+) - Body ground	10 kΩ or higher

NG REPAIR OR REPLACE HARNESS AND CONNECTOR

OK

4 INSPECT ELECTRICAL KEY ANTENNA



- (a) Remove the electrical key antenna.
- (b) Measure the antenna resistance.

Standard:

Tester Connection	Condition	Specified Condition
1 - 3	Switch pushed	10 kΩ or higher
1 - 3	Switch not pushed	Below 1 Ω

NG REPLACE ELECTRICAL KEY ANTENNA

OK

REPLACE SMART ECU