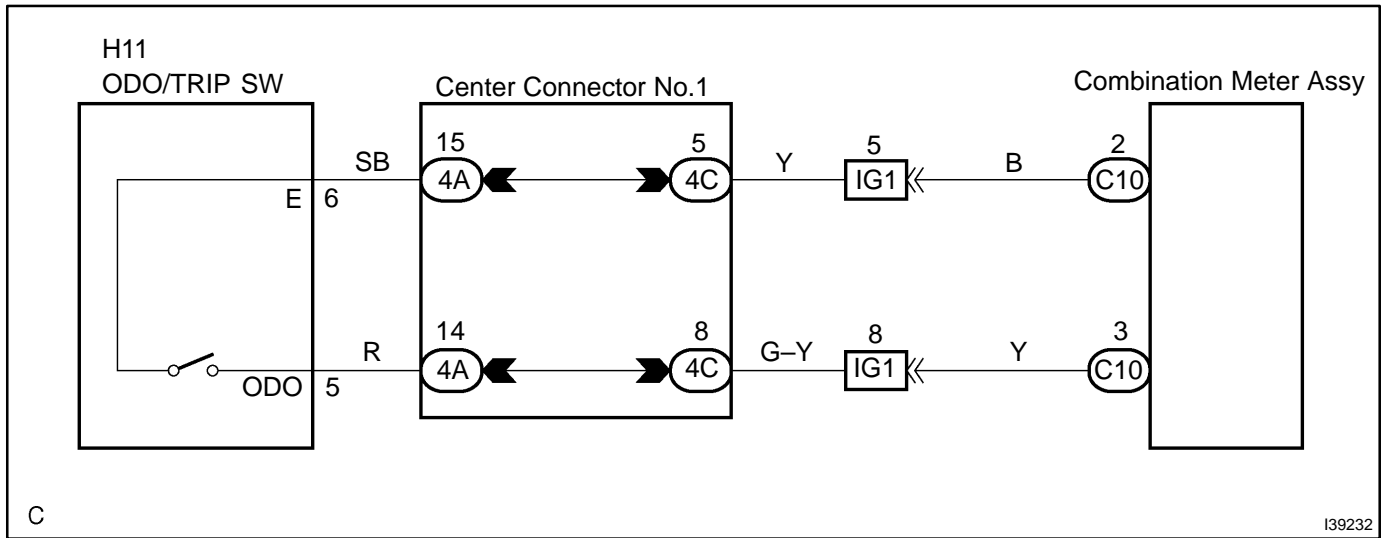


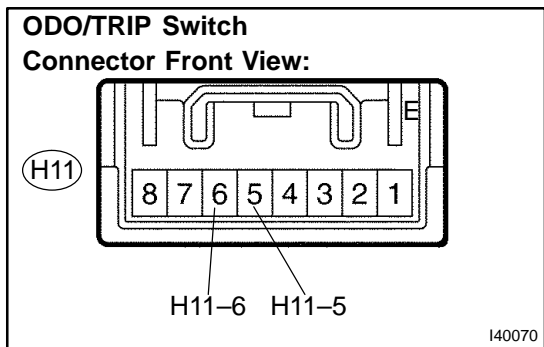
MALFUNCTION IN ODO/TRIP SW

WIRING DIAGRAM



INSPECTION PROCEDURE

1 INSPECT ODO/TRIP SWITCH



- (a) Disconnect the ODO/TRIP switch connector.
- (b) Measure the resistance according to the value(s) in the table below.

Standard:

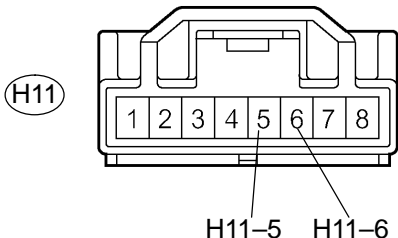
Terminal No	Condition	Specified condition
5 - 6	Push ODO/TRIP SW	Below 1 Ω
5 - 6	Release ODO/TRIP SW	10 kΩ or higher

NG → **REPLACE ODO/TRIP SWITCH**

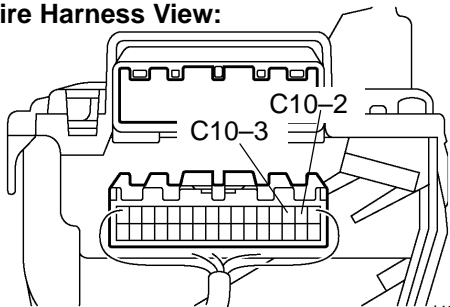
OK

2 CHECK HARNESS AND CONNECTOR(ODO/TRIP SWITCH – COMBIATION METER ASSY)(SEE PAGE 01-37)

**ODO/TRIP Switch Wire
Harness View:**



**Combination Meter Assy
Wire Harness View:**



- (a) Disconnect the C10 and H11 connectors.
- (b) Measure the resistance according to the value(s) in the table below.

Standard:

Tester Connection	Condition	Specified Condition
C10-2 – H11-6	Always	Below 1 Ω
C10-3 – H11-5	Always	Below 1 Ω
C10-2 – Body ground	Always	10 kΩ or higher
C10-3 – Body ground	Always	10 kΩ or higher

NG REPAIR OR REPLACE HARNESS OR CONNECTOR

OK

REPLACE COMBINATION METER ASSY(SEE PAGE 71-19)