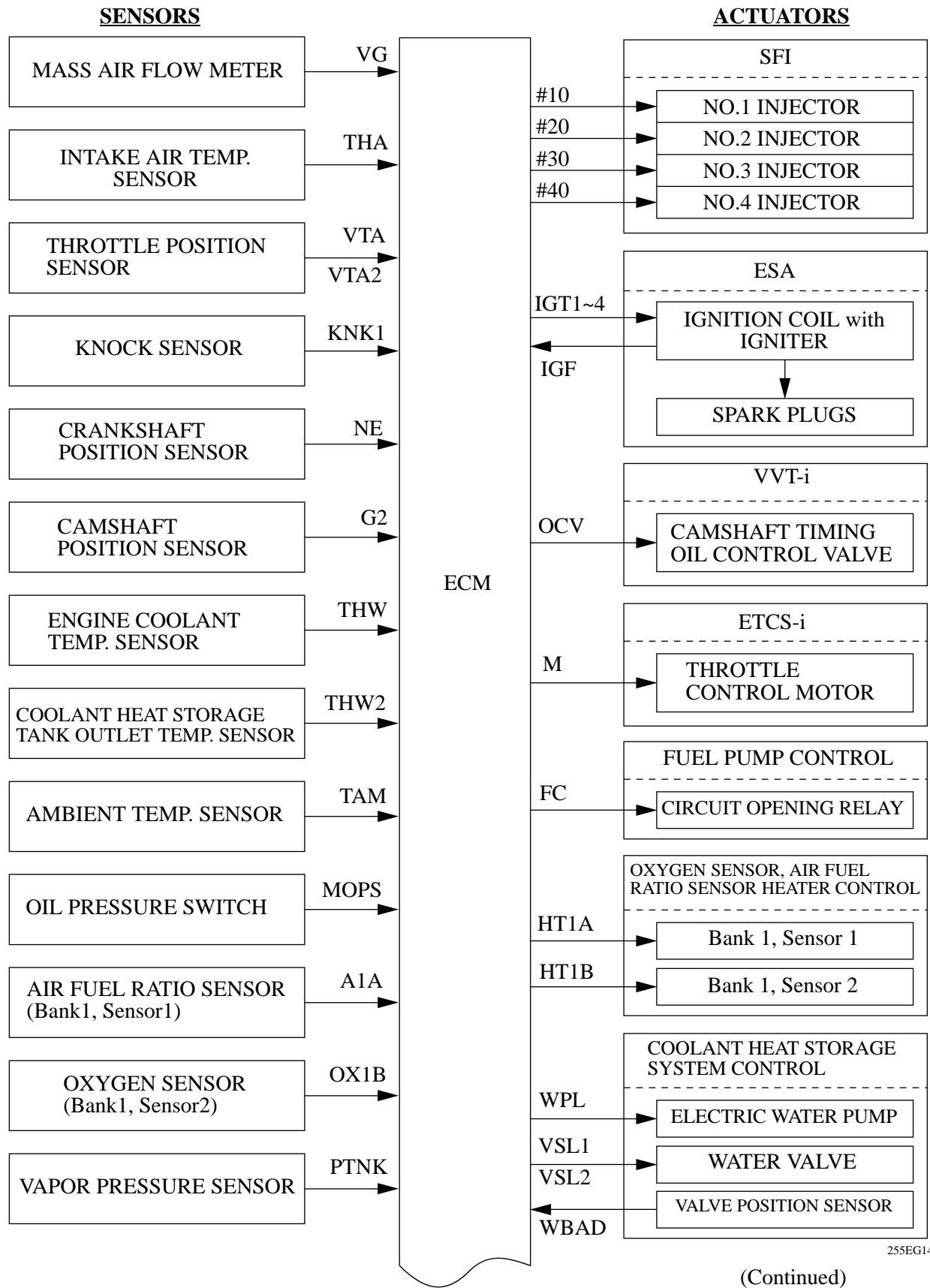
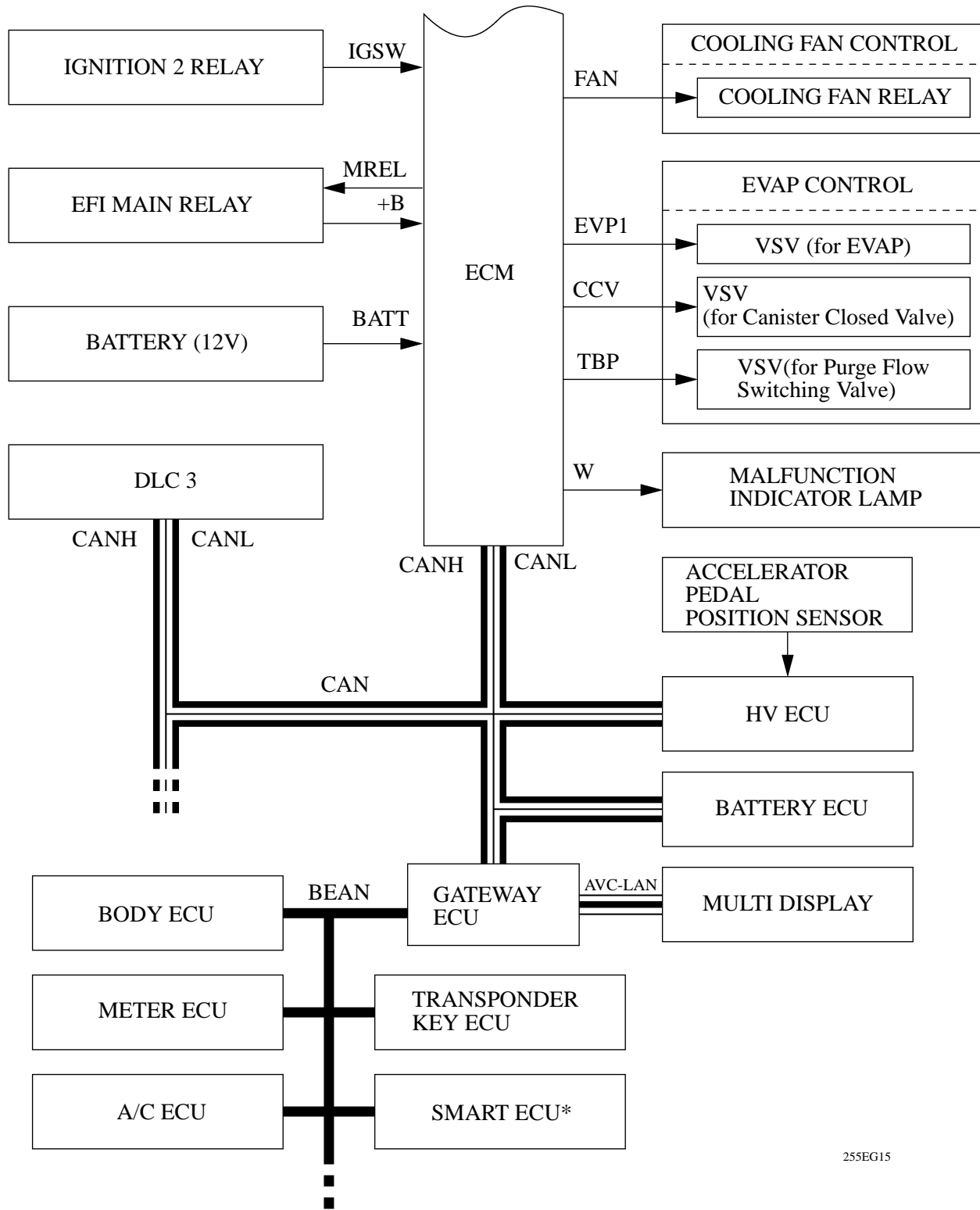


2. Construction

The configuration of the engine control system in the 1NZ-FXE engine is shown in the following chart.



(Continued)



255EG15

*: Models with Smart Entry & Start System