

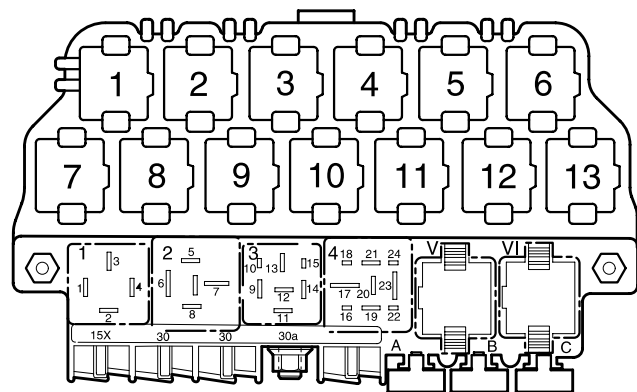
1.8 litre/110 kW Motronic, engine codes AUM,

from September 2000

1.8 litre/132 kW Motronic, engine codes AUQ,

from June 2001

For alternatives to relay and fuse positions as well as multi-pin connector wiring - see "Fitting locations" section.



97-14163

Relay locations on the 13 position additional relay carrier above the relay plate:

Relay locations on relay plate:

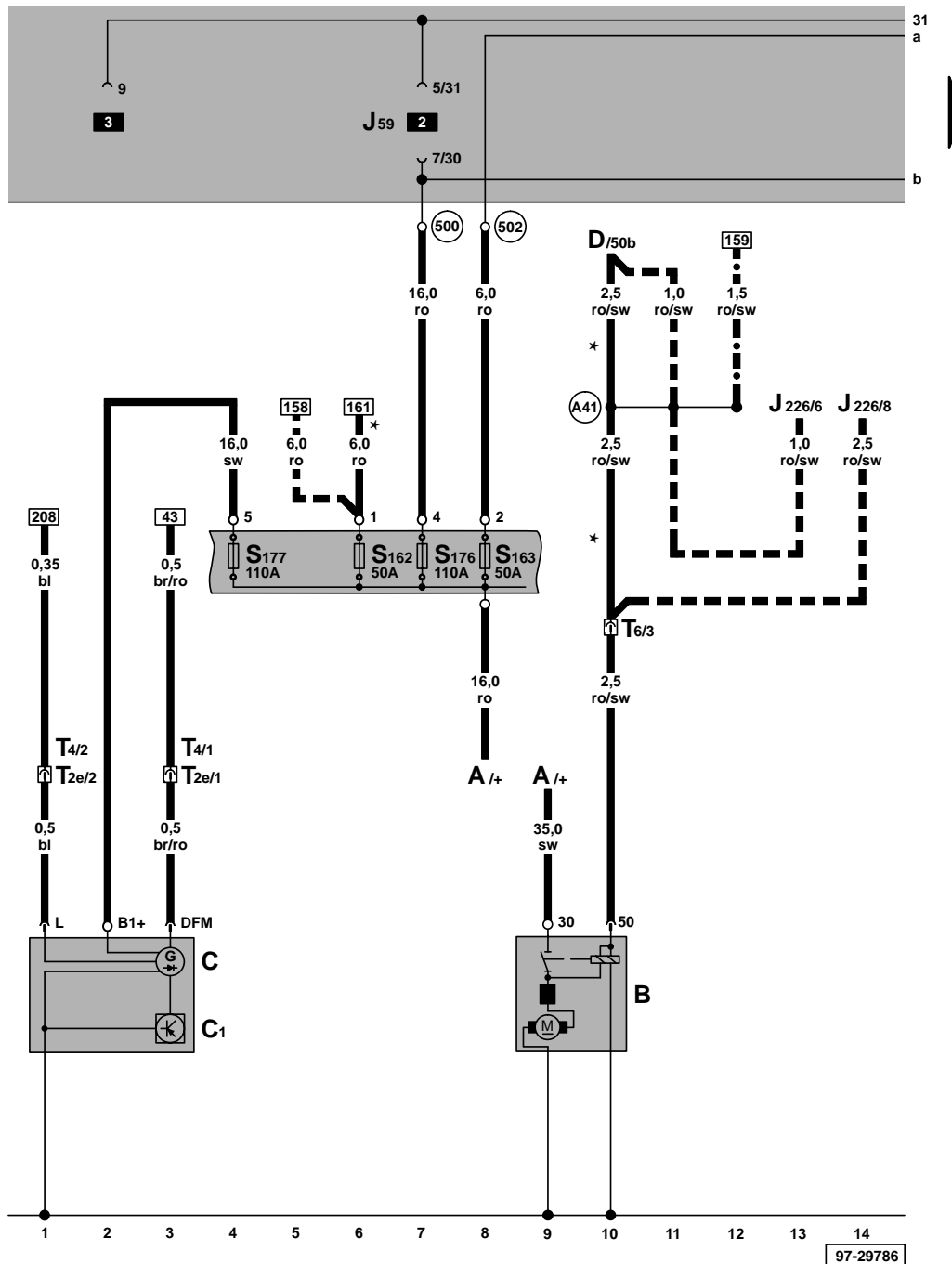
- 2** X contact relief relay (100)
- 4** Fuel pump relay (409)

Note:

The number in brackets behind the part designation denotes the control number on the housing.

Fuse colours

- 30 A - green
- 25 A - white
- 20 A - yellow
- 15 A - blue
- 10 A - red
- 7.5 A - brown
- 5 A - beige
- 3 A - lilac



Alternator, starter

- A - Battery
- B - Starter
- C - Alternator
- C1 - Voltage regulator
- D - Ignition/starter switch
- J59 - X contact relief relay
- J226 - Starter inhibitor and reversing light relay
- S162 - Fuse -1- (30), in fuse box/battery
- S163 - Fuse -2- (30), in fuse box/battery
- S176 - Fuse -4- (30), in battery fuse box
- S177 - Fuse -5- (30), in battery fuse box
- T2e - 2-pin connector, near starter (only models without air conditioner)
- T4 - 4-pin connector, near starter (only models with air conditioner)
- T6 - 6-pin connector, brown, in control unit protective housing, in plenum chamber, left

- (500) - Screw connection -1- (30), on relay plate
- (502) - Screw connection -1- (30a), on relay plate
- (A41) - Positive (+) connection (50), in dash panel wiring harness (up to April 2001)

- * - Only models with manual gearbox
- - Only models with automatic gearbox
- - Up to April 2001

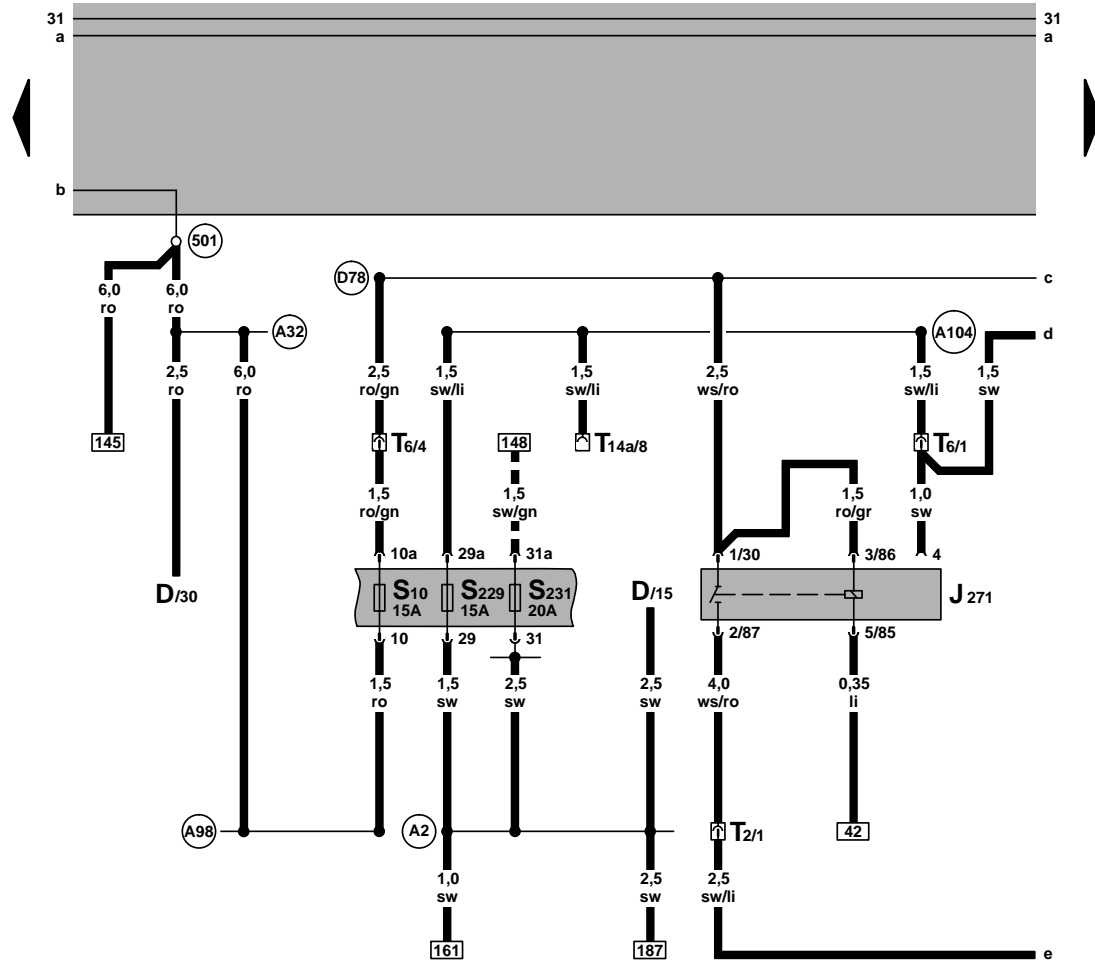
ws = white
 sw = black
 ro = red
 br = brown
 gn = green
 bl = blue
 gr = grey
 li = purple
 ge = yellow
 or = orange

Motronic current supply relay

- D - Ignition/starter switch
- J271 - Motronic current supply relay, in protective housing in engine compartment, left (control number 428)
- S10 - Fuse in fuse box
- S229 - Fuse 29 in fuse box
- S231 - Fuse 31 in fuse box
- T2 - 2-pin connector, in engine compartment, left
- T6 - 6-pin connector, brown, in control unit protective housing, in plenum chamber, left
- T14a - 14-pin connector, in cable channel left in engine compartment

- (501) - Screw connection -2- (30), on relay plate
- (A2) - Positive (+) connection (15), in dash panel wiring harness
- (A32) - Positive (+) connection (30), in dash panel wiring harness
- (A98) - Positive (+) connection-4-(30), in dash panel wiring harness
- (A104) - Positive (+) connection -2- (15), in dash panel wiring harness
- (D78) - Positive (+) connection -1- (30a), in engine compartment wiring harness

--- Only models with automatic gearbox



- ws = white
- sw = black
- ro = red
- br = brown
- gn = green
- bl = blue
- gr = grey
- li = purple
- ge = yellow
- or = orange

15 16 17 18 19 20 21 22 23 24 25 26 27 28

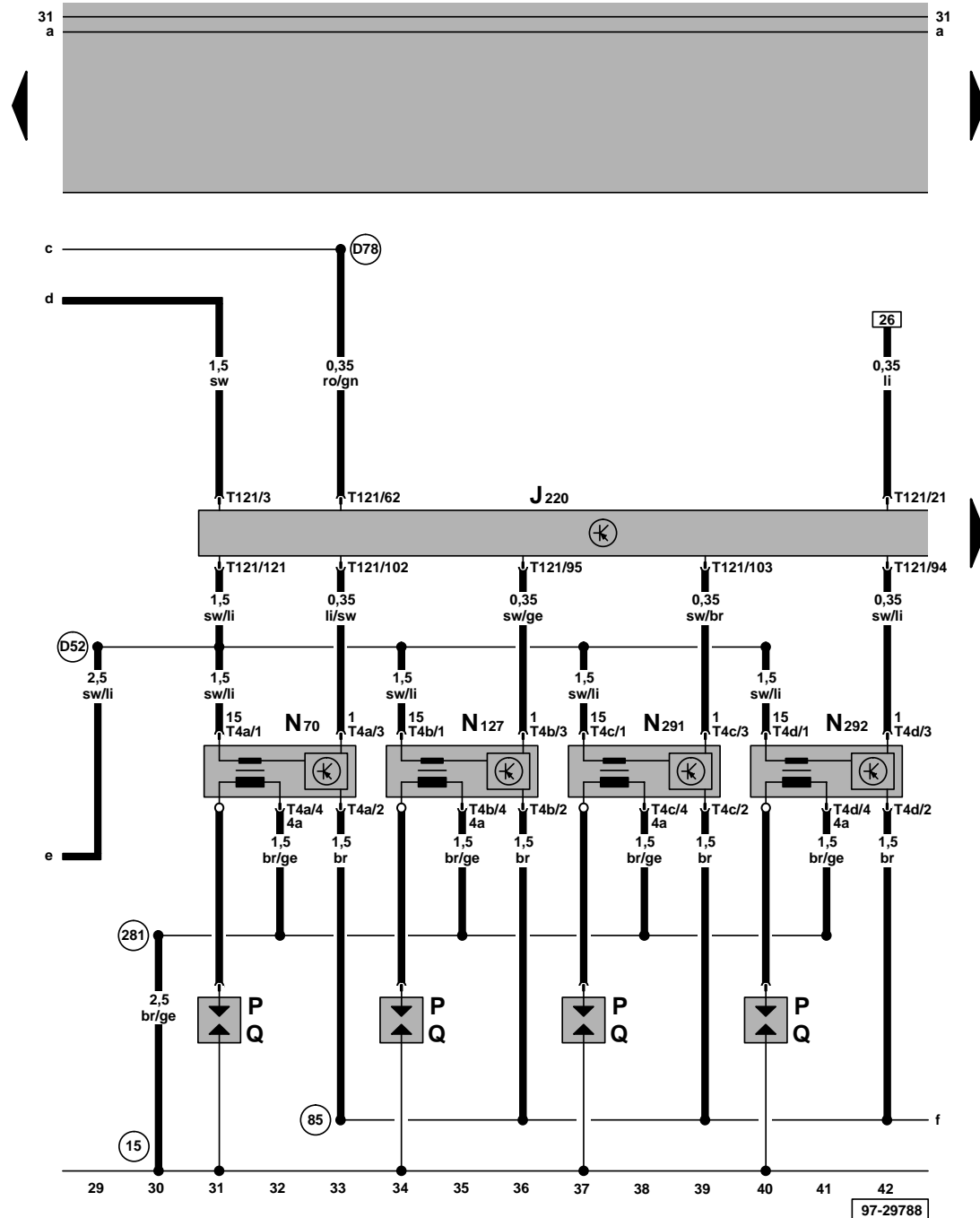
97-29787

Motronic control unit, ignition system

- J220 - Motronic control unit, in plenum chamber, centre
- N70 - Ignition coil 1 with output stage
- N127 - Ignition coil 2 with output stage
- N291 - Ignition coil 3 with output stage
- N292 - Ignition coil 4 with output stage
- P - Spark plug connector
- Q - Spark plugs
- T4a - 4-pin connector
- T4b - 4-pin connector
- T4c - 4-pin connector
- T4d - 4-pin connector
- T121 - 121-pin connector

- (15) - Earth point, on cylinder head
- (85) - Earth connection -1-, in engine compartment wiring harness
- (281) - Earth connection -1-, in engine pre-wiring harness
- (D52) - Positive (+) connection (15a), in engine compartment wiring harness
- (D78) - Positive (+) connection -1- (30a), in engine compartment wiring harness

ws = white
 sw = black
 ro = red
 br = brown
 gn = green
 bl = blue
 gr = grey
 li = purple
 ge = yellow
 or = orange



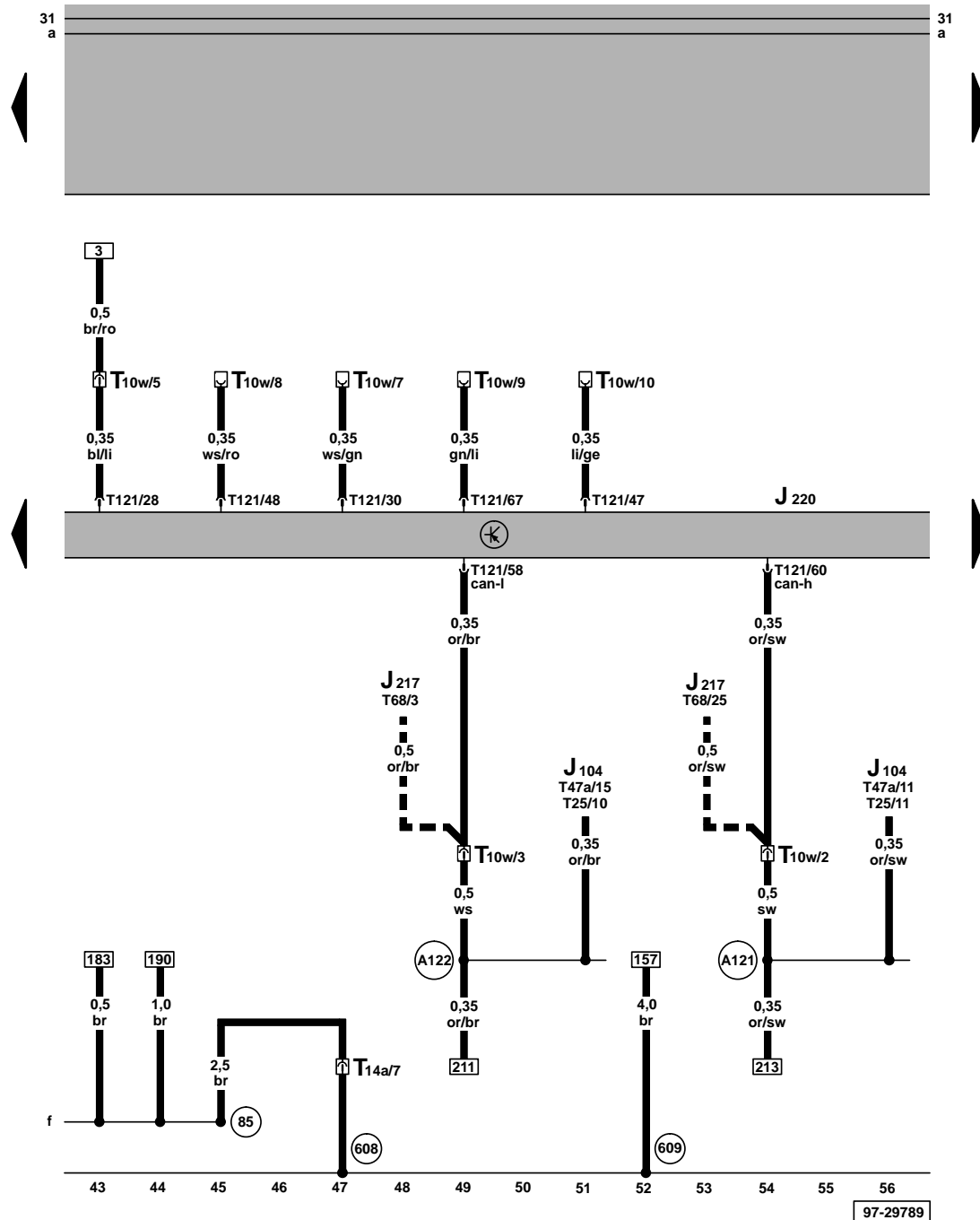
97-29788

Motronic control unit

- J104 - ABS/ABS with EDL control unit
- J217 - Automatic gearbox control unit
- J220 - Motronic control unit, in plenum chamber, centre
- T10w- 10-pin connector, white, in protective housing for connectors, in plenum chamber, left
- T14a - 14-pin connector, in cable channel left in engine compartment
- T25 - 25-pin connector, on ABS/ABS with EDL control unit
- T47a - 47-pin connector, on ABS/ABS with EDL/TCS/ESP control unit
- T68 - 68-pin connector
- T121 - 121-pin connector

- (85) - Earth connection -1-, in engine compartment wiring harness
- (608) - Earth point, in plenum chamber, centre
- (609) - Earth point, in plenum chamber, right
- (A121) - Connection (high bus), in dash panel wiring harness
- (A122) - Connection (low bus), in dash panel wiring harness
- Only models with automatic gearbox

ws = white
 sw = black
 ro = red
 br = brown
 gn = green
 bl = blue
 gr = grey
 li = purple
 ge = yellow
 or = orange



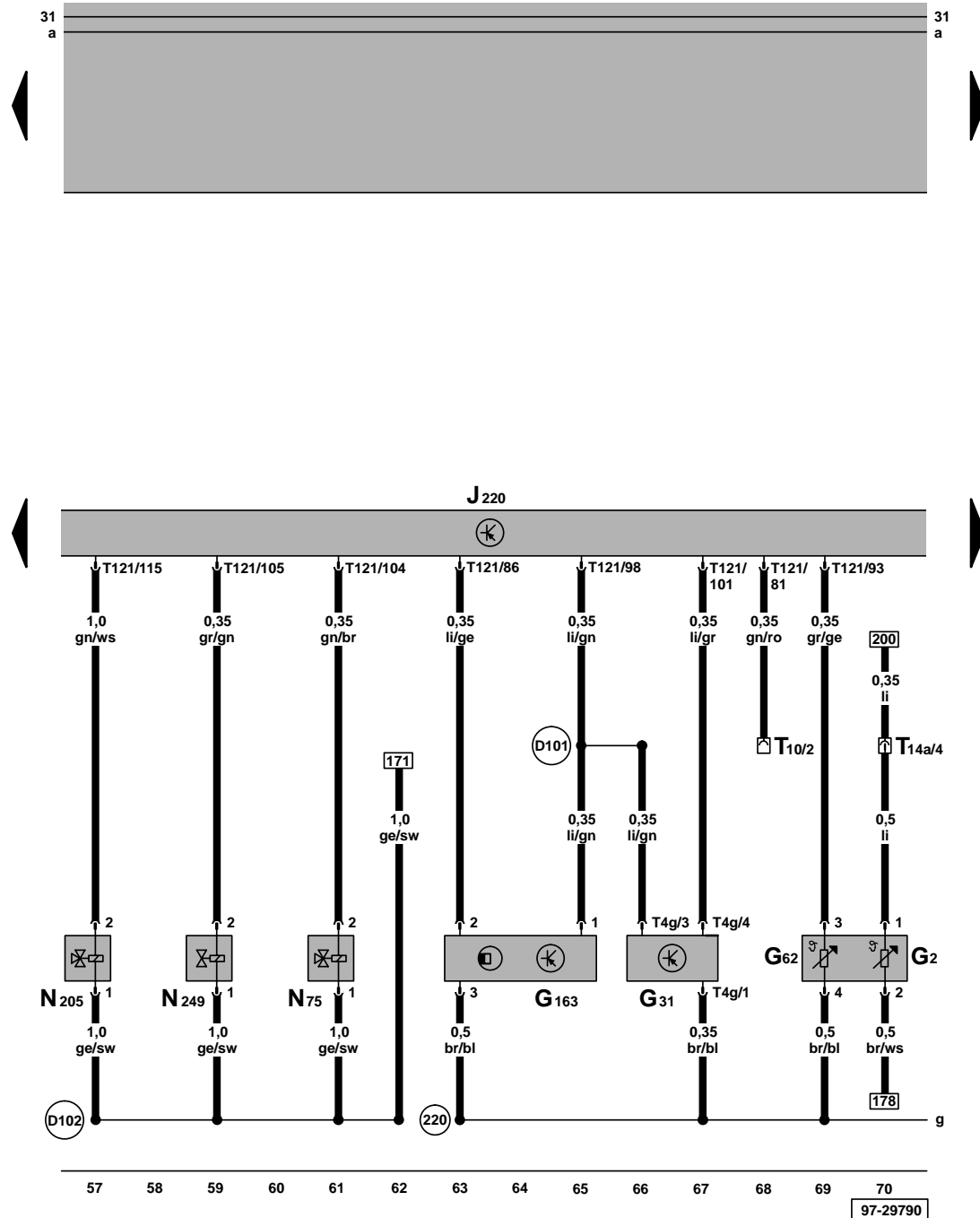
97-29789

Motronic control unit, coolant temperature sender, hall sender, charge air pressure sender, charge pressure control solenoid valve, turbocharger divert air valve, inlet camshaft timing adjustment valve -1-

- G2 - Coolant temperature sender
- G31 - Charge air pressure sender
- G62 - Coolant temperature sender
- G163 - Hall sender
- J220 - Motronic control unit, in plenum chamber, centre
- N75 - Charge pressure control solenoid valve
- N205 - Inlet camshaft timing adjustment valve -1-
- N249 - Turbocharger divert air valve
- T4g - 4-pin connector
- T10 - 10-pin connector, orange, in protective housing for connectors, in plenum chamber, left
- T14a - 14-pin connector, in cable channel left in engine compartment
- T121 - 121-pin connector

- (220) - Earth connection (sender earth), in engine wiring harness
- (D101) - Connection -1-, in engine wiring harness
- (D102) - Connection -2-, in engine wiring harness

ws = white
 sw = black
 ro = red
 br = brown
 gn = green
 bl = blue
 gr = grey
 li = purple
 ge = yellow
 or = orange

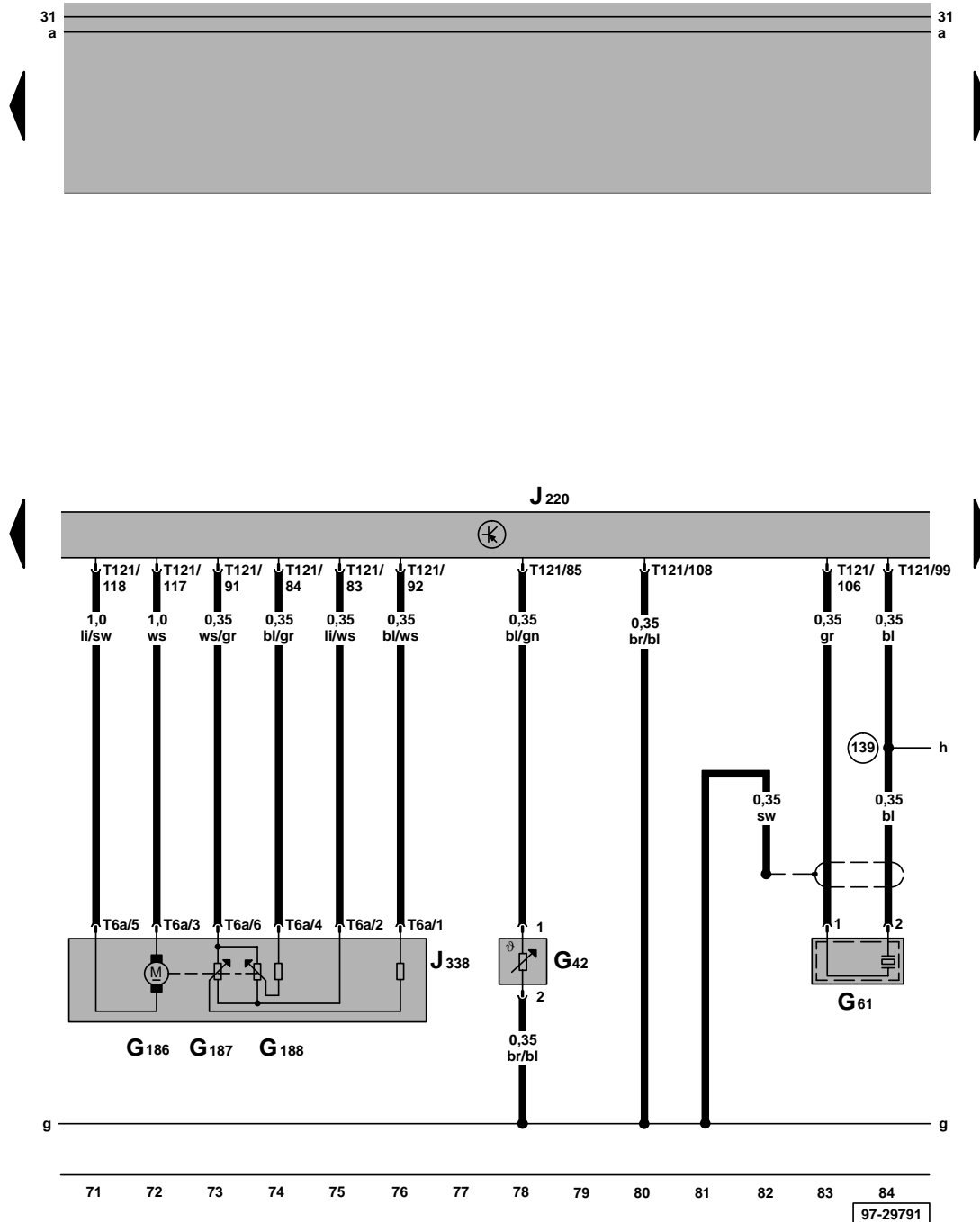


97-29790

Motronic control unit, throttle valve control unit, throttle valve drive angle sender (electric throttle operation), Knock sensor I, intake air temperature sender

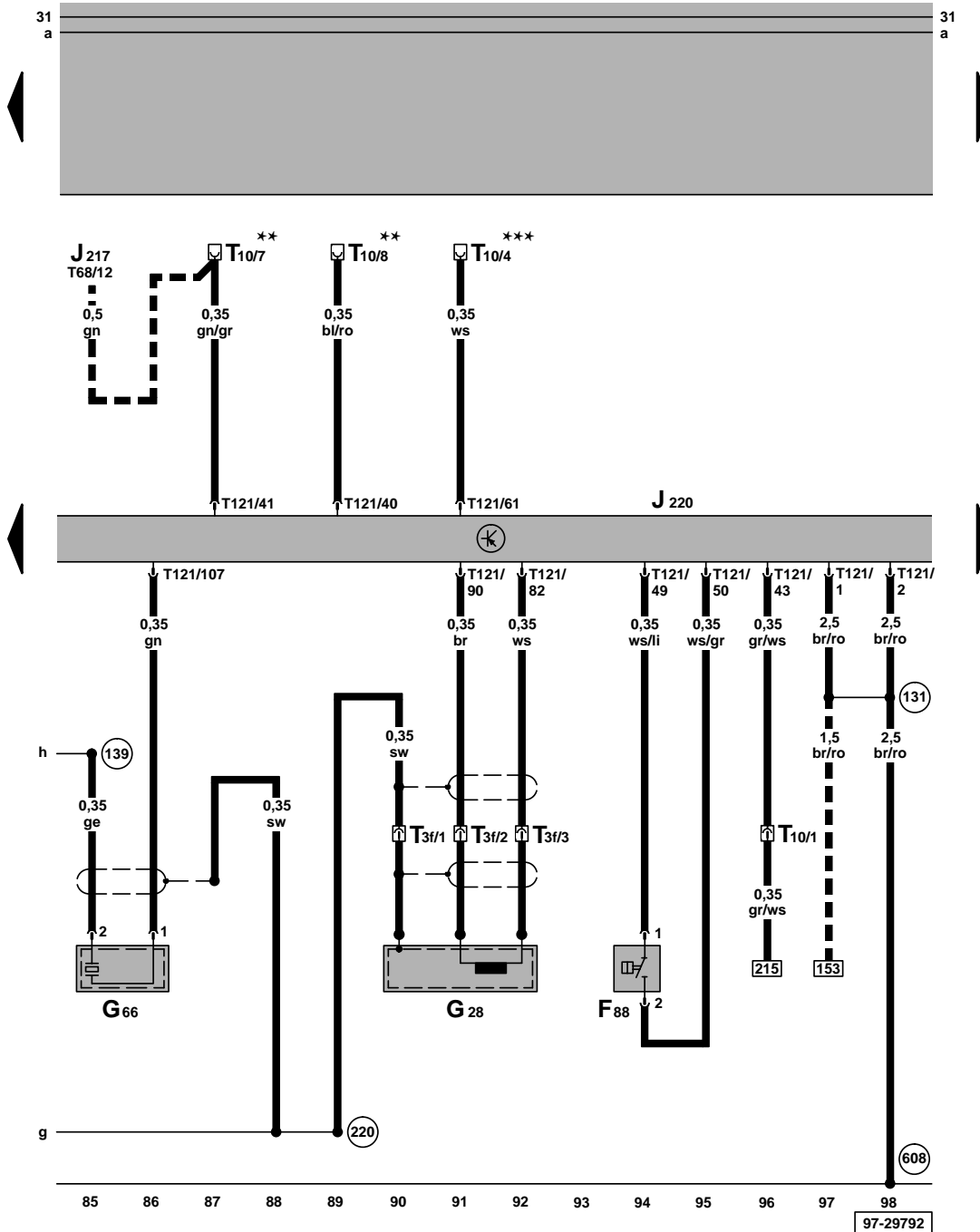
- G42 - Intake air temperature sender
- G61 - Knock sensor I
- G186- Throttle valve drive (electric throttle operation)
- G187- Throttle valve drive angle sender -1- (electric throttle operation)
- G188- Throttle valve drive angle sender -2- (electric throttle operation)
- J220 - Motronic control unit, in plenum chamber, centre
- J338 - Throttle valve control unit
- T6a - 6-pin connector
- T121 - 121-pin connector

(139) - Earth connection (sender earth), in Motronic wiring harness



- ws = white
- sw = black
- ro = red
- br = brown
- gn = green
- bl = blue
- gr = grey
- li = purple
- ge = yellow
- or = orange

Motronic control unit, engine speed sender, knock sensor II, power assisted steering pressure switch



- F88 - Power assisted steering pressure switch
- G28 - Engine speed sender
- G66 - Knock sensor II
- J217 - Automatic gearbox control unit
- J220 - Motronic control unit, in plenum chamber, centre
- T3f - 3-pin connector, in engine compartment, front
- T10 - 10-pin connector, orange, in protective housing for connectors, in plenum chamber, left
- T68 - 68-pin connector
- T121 - 121-pin connector

- (131) - Earth connection -2-, in engine compartment wiring harness
- (139) - Earth connection (sender earth), in Motronic wiring harness
- (220) - Earth connection (sender earth), in engine wiring harness
- (608) - Earth point, in plenum chamber, centre

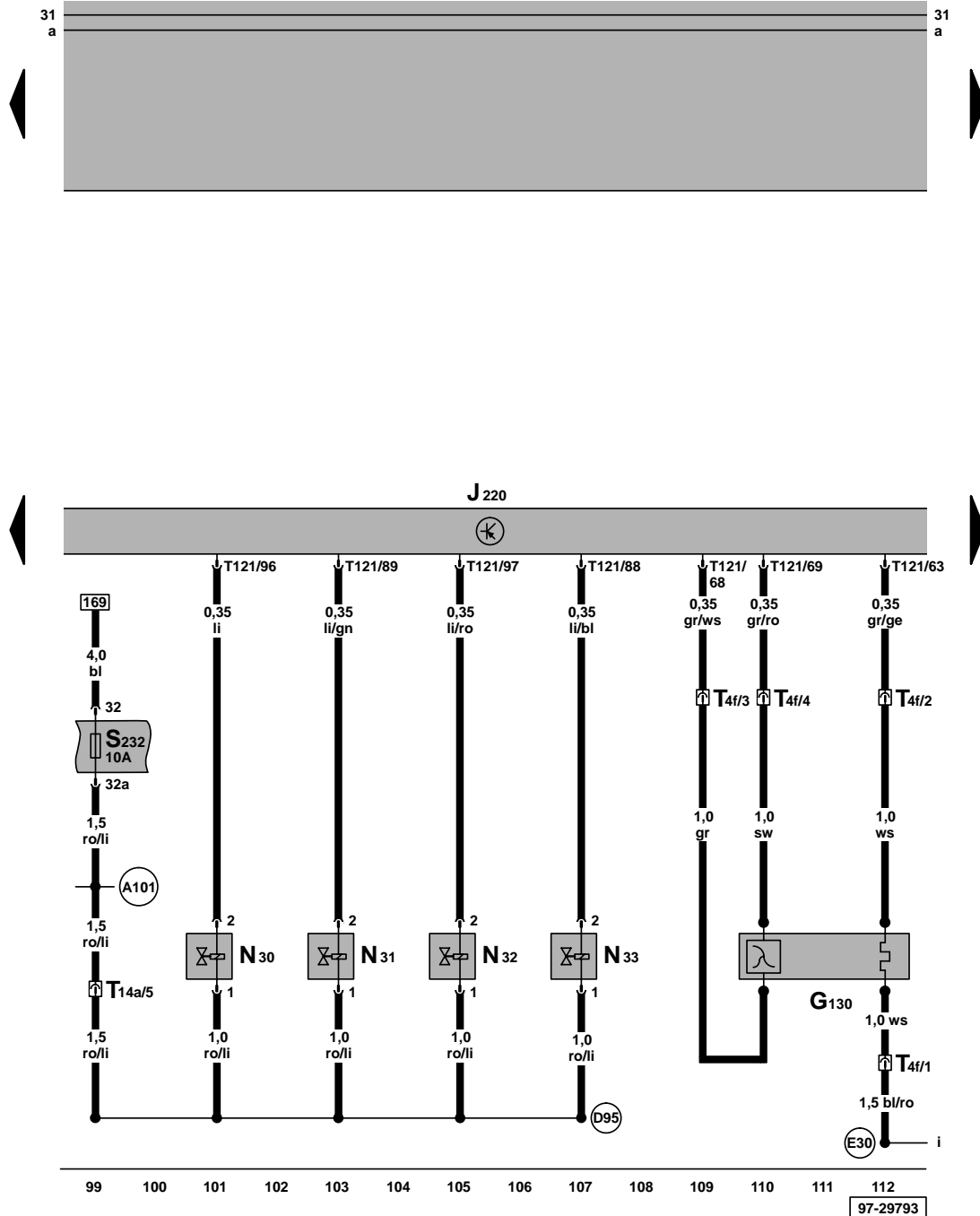
- ** - Connection for air conditioner
- *** - Radiator fan control unit
- Only models with automatic gearbox

ws = white
 sw = black
 ro = red
 br = brown
 gn = green
 bl = blue
 gr = grey
 li = purple
 ge = yellow
 or = orange

Motronic control unit, injectors, lambda probe after catalyst

- G130 – Lambda probe after catalytic
- J220 – Motronic control unit, in plenum chamber, centre
- N30 – Injector, cylinder 1
- N31 – Injector, cylinder 2
- N32 – Injector, cylinder 3
- N33 – Injector, cylinder 4
- S232 – Fuse 32 in fuse box
- T4f – 4-pin connector, near catalyst
- T14a – 14-pin connector, in cable channel left in engine compartment
- T121 – 121-pin connector

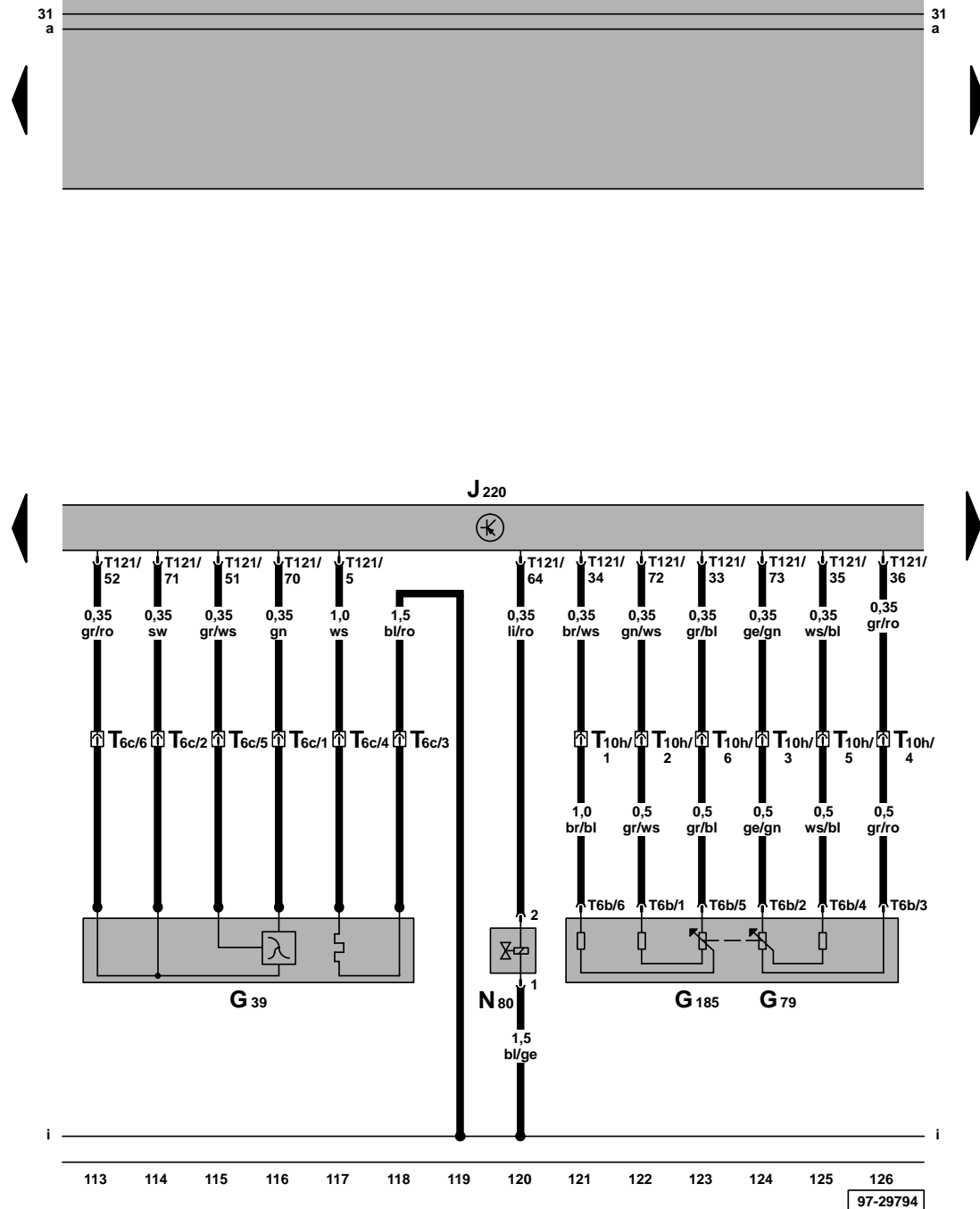
- (A101) – Connection -3- (87), in dash panel wiring harness
- (D95) – Connection (injectors), in engine compartment wiring harness
- (E30) – Connection (87a), in engine wiring harness



- ws = white
- sw = black
- ro = red
- br = brown
- gn = green
- bl = blue
- gr = grey
- li = purple
- ge = yellow
- or = orange

Motronic control unit, accelerator pedal position sender, lambda probe, activated charcoal filter system solenoid valve I

- G39 - Lambda probe
- G79 - Accelerator pedal position sender
- G185 - Accelerator pedal position sender -2-
- J220 - Motronic control unit, in plenum chamber, centre
- N80 - Activated charcoal filter system solenoid valve 1
- T6b - 6-pin connector
- T6c - 6-pin connector, near catalyst
- T10h - 10-pin connector, blue, in control unit protective housing, in plenum chamber, left
- T121 - 121-pin connector

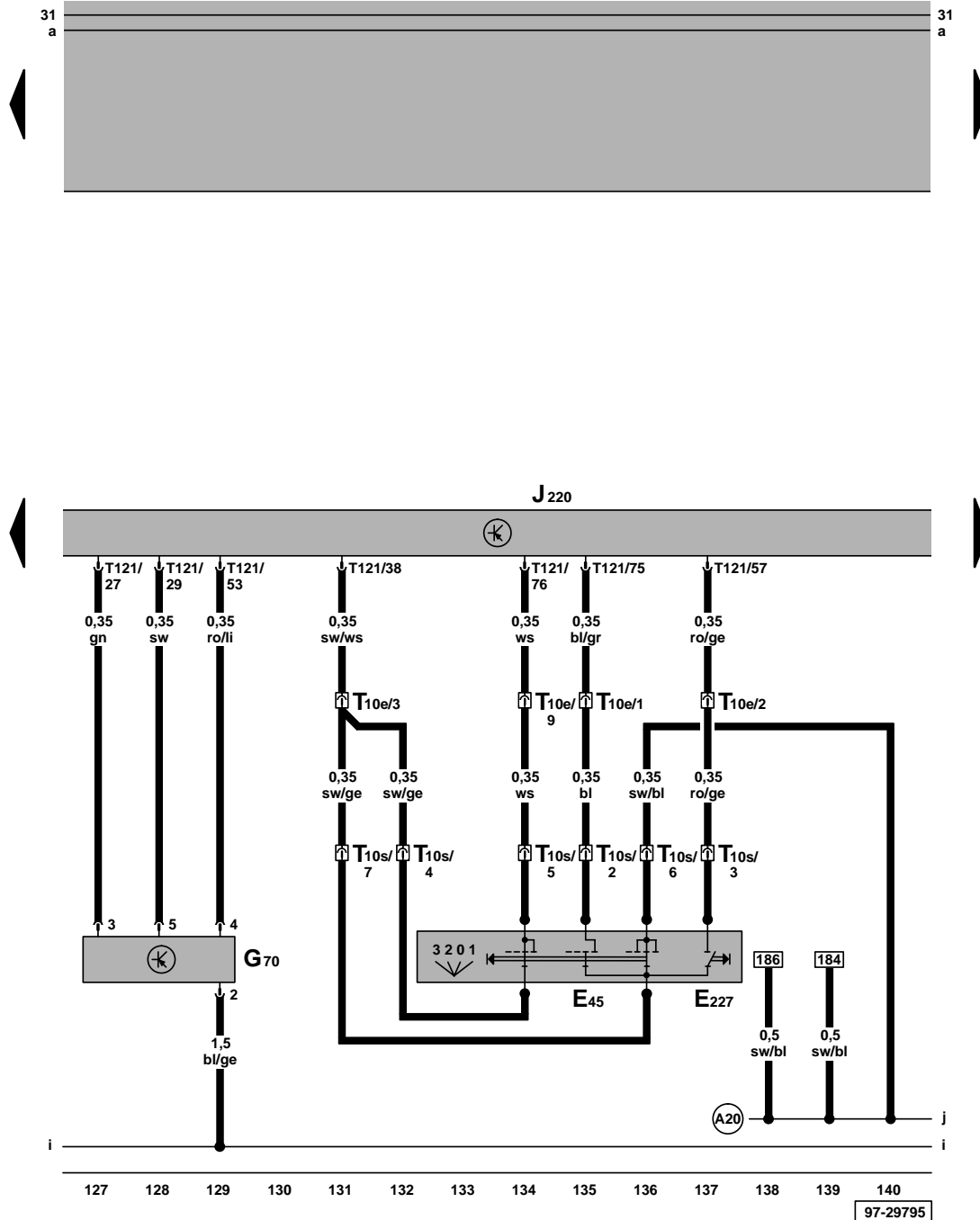


Motronic control unit, cruise control system switch (CCS), air mass meter

- E45 - Cruise control system switch**
- E227 - Cruise control system (CCS) button (Set)**
- G70 - Air mass meter
- J220 - Motronic control unit, in plenum chamber, centre
- T10e - 10-pin connector, black, in control unit protective housing, in plenum chamber, left
- T10s - 10-pin connector, next to steering column
- T121 - 121-pin connector

(A20) - Connection (15a), in dash panel wiring harness

** - Only models with CCS

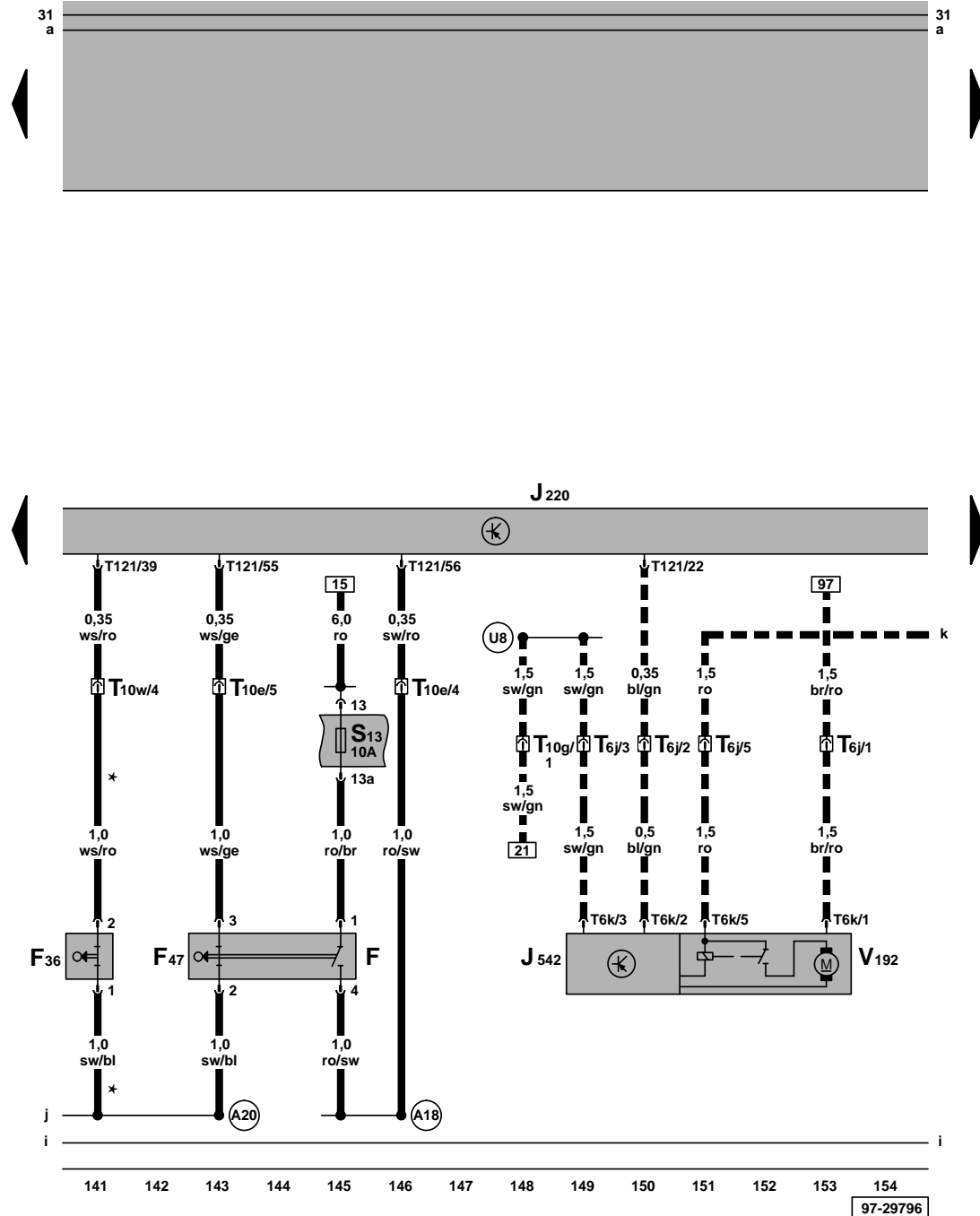


Motronic control unit, brake servo control unit, vacuum pump for brakes, brake light switch, clutch pedal switch, cruise control system brake pedal switch

- F - Brake light switch
- F36 - Clutch pedal switch
- F47 - Cruise control system brake pedal switch
- J220 - Motronic control unit, in plenum chamber, centre
- J542 - Brake servo control unit
- S13 - Fuse in fuse box
- T6j - 6-pin connector, in engine compartment, left
- T6k - 6-pin connector
- T10e - 10-pin connector, black, in control unit protective housing, in plenum chamber, left
- T10g - 10-pin connector, grey, in protective housing for connectors, in plenum chamber, left
- T10w - 10-pin connector, white, in protective housing for connectors, in plenum chamber, left
- T121 - 121-pin connector
- V192 - Vacuum pump for brakes

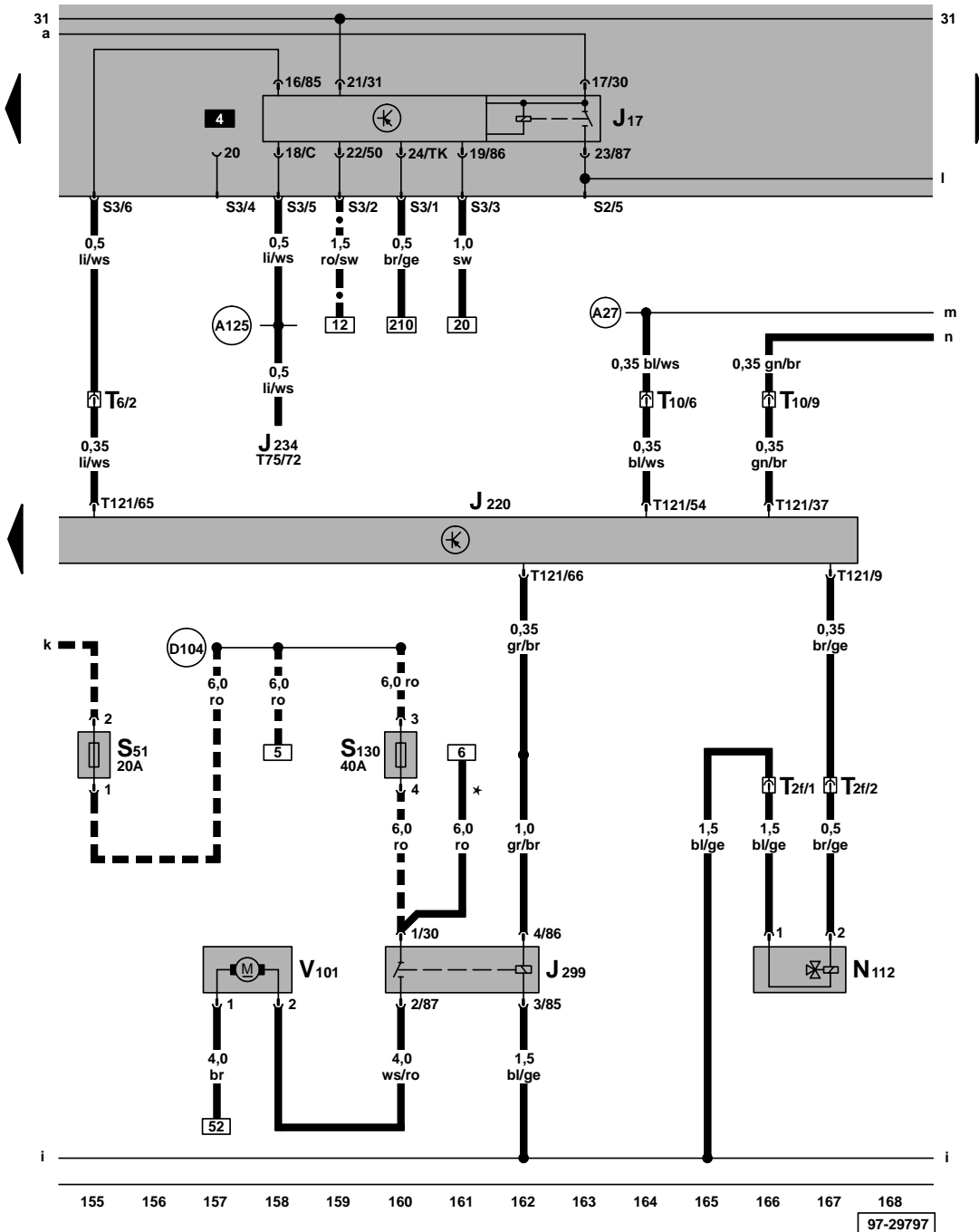
- (A18) - Connection (54), in dash panel wiring harness
- (A20) - Connection (15a), in dash panel wiring harness
- (U8) - Positive (+) connection (15a), in automatic gearbox wiring harness
- * - Only models with manual gearbox
- - Only models with automatic gearbox

ws = white
 sw = black
 ro = red
 br = brown
 gn = green
 bl = blue
 gr = grey
 li = purple
 ge = yellow
 or = orange



97-29796

Motronic control unit, secondary air pump motor, secondary air inlet valve, fuel pump relay



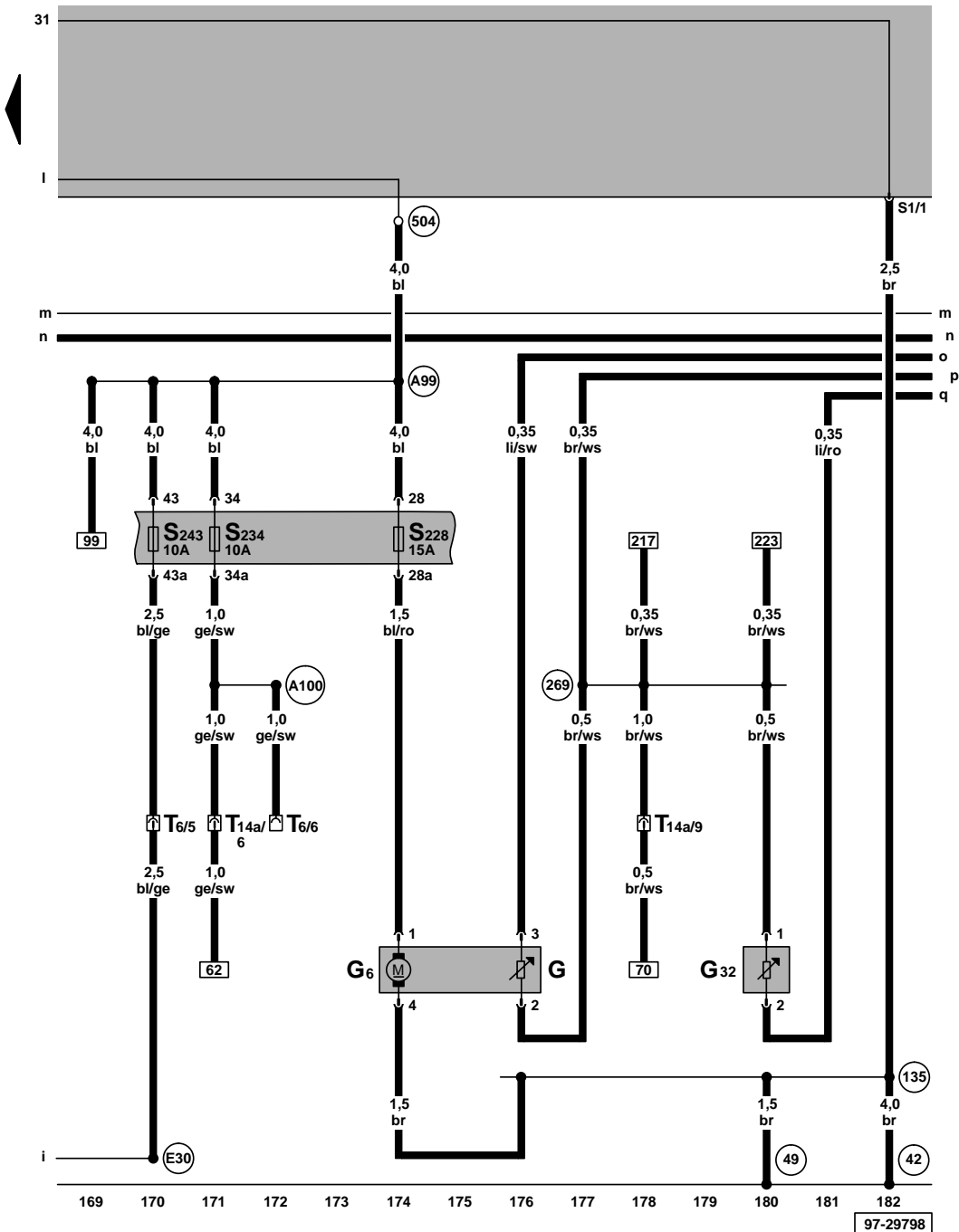
- J17 - Fuel pump relay
- J220 - Motronic control unit, in plenum chamber, centre
- J234 - Airbag control unit
- J299 - Secondary air pump relay, in protective housing in engine compartment, left (control number 100)
- N112 - Secondary air inlet valve
- S51 - Fuse, in protective housing in engine compartment, left
- S130 - Secondary air pump fuse, in protective housing in engine compartment, left
- T2f - 2-pin connector, in engine compartment, left
- T6 - 6-pin connector, brown, in control unit protective housing, in plenum chamber, left
- T10 - 10-pin connector, orange, in protective housing for connectors, in plenum chamber, left
- T121 - 121-pin connector
- T75 - 75-pin connector
- V101 - Secondary air pump motor

- (A27) - Connection (speed signal), in dash panel wiring harness
- (A125) - Connection (crash signal), in dash panel wiring harness
- (D104) - Positive (+) connection -2- (30a), in engine compartment wiring harness

- * - Only models with manual gearbox
- - Only models with automatic gearbox
- - Up to April 2001

ws = white
 sw = black
 ro = red
 br = brown
 gn = green
 bl = blue
 gr = grey
 li = purple
 ge = yellow
 or = orange

Fuel pump, fuel gauge sender, coolant shortage indicator sender



- G - Fuel gauge sender
- G6 - Fuel pump
- G32 - Coolant shortage indicator sender
- S228 - Fuse 28 in fuse box
- S234 - Fuse 34 in fuse box
- S243 - Fuse 43 in fuse box
- T6 - 6-pin connector, brown, in control unit protective housing, in plenum chamber, left
- T14a - 14-pin connector, in cable channel left in engine compartment

- (42) - Earth point, next to steering column
- (49) - Earth point, on steering column
- (135) - Earth connection -2-, in dash panel wiring harness
- (269) - Earth connection (sender earth) -1-, in dash panel wiring harness
- (504) - Screw connection -1- (87F), on relay plate
- (A99) - Connection -1- (87), in dash panel wiring harness
- (A100) - Connection -2- (87), in dash panel wiring harness
- (E30) - Connection (87a), in engine wiring harness

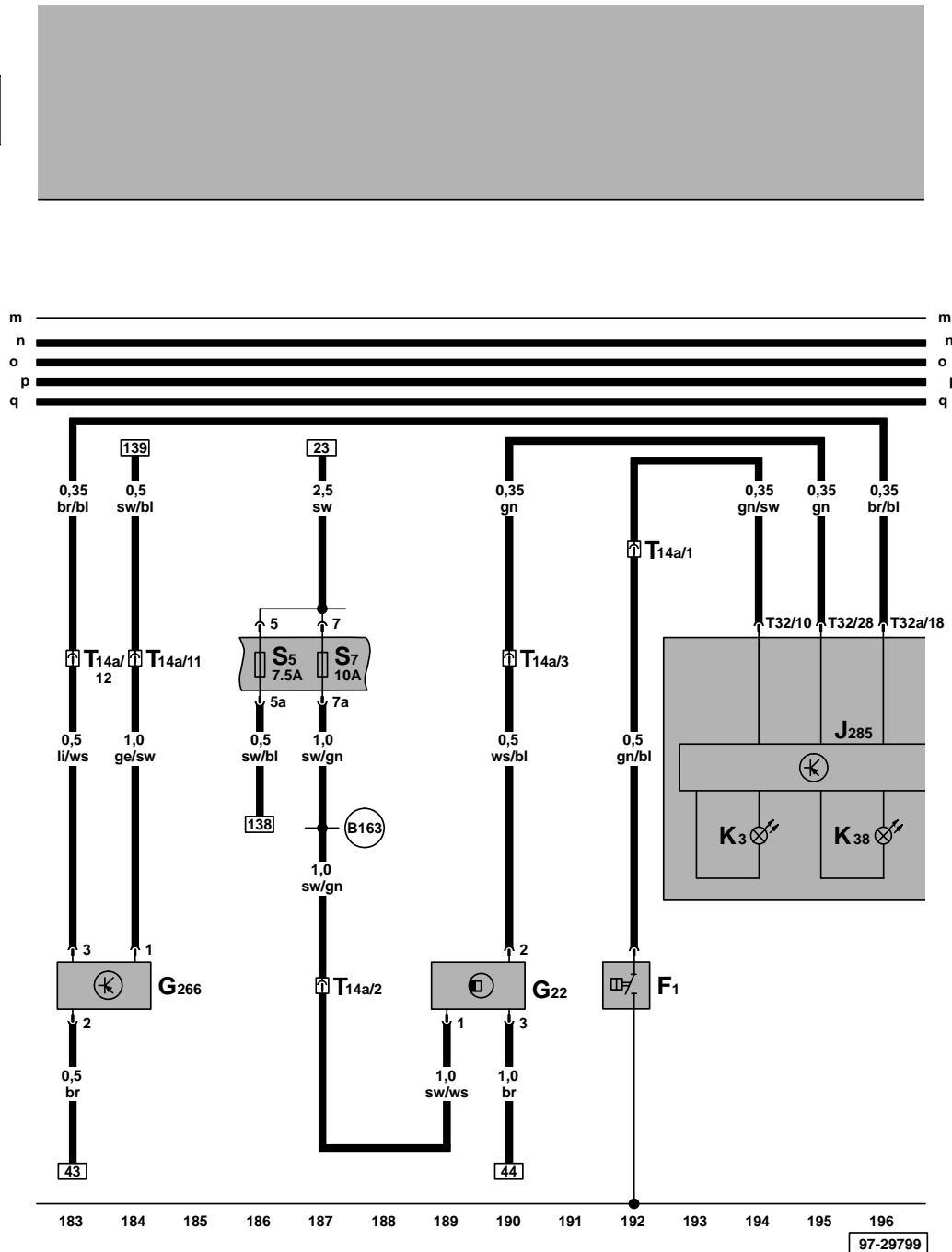
ws = white
 sw = black
 ro = red
 br = brown
 gn = green
 bl = blue
 gr = grey
 li = purple
 ge = yellow
 or = orange

Dash panel insert, oil pressure warning lamp, oil level/oil temperature sender, speedometer sender

- F1 - Oil pressure switch
- G22 - Speedometer sender (Hall sender, on gearbox)
- G266 - Oil level/oil temperature sender**
- J285 - Control unit with display in dash panel insert
- K3 - Oil pressure warning lamp
- K38 - Oil level warning lamp**
- S5 - Fuse in fuse box
- S7 - Fuse in fuse box
- T14a - 14-pin connector, in cable channel left in engine compartment
- T32 - 32-pin connector, blue
- T32a - 32-pin connector, green

(B163) - Positive (+) connection -1- (15), in interior wiring harness

** - Only with flexible service interval display

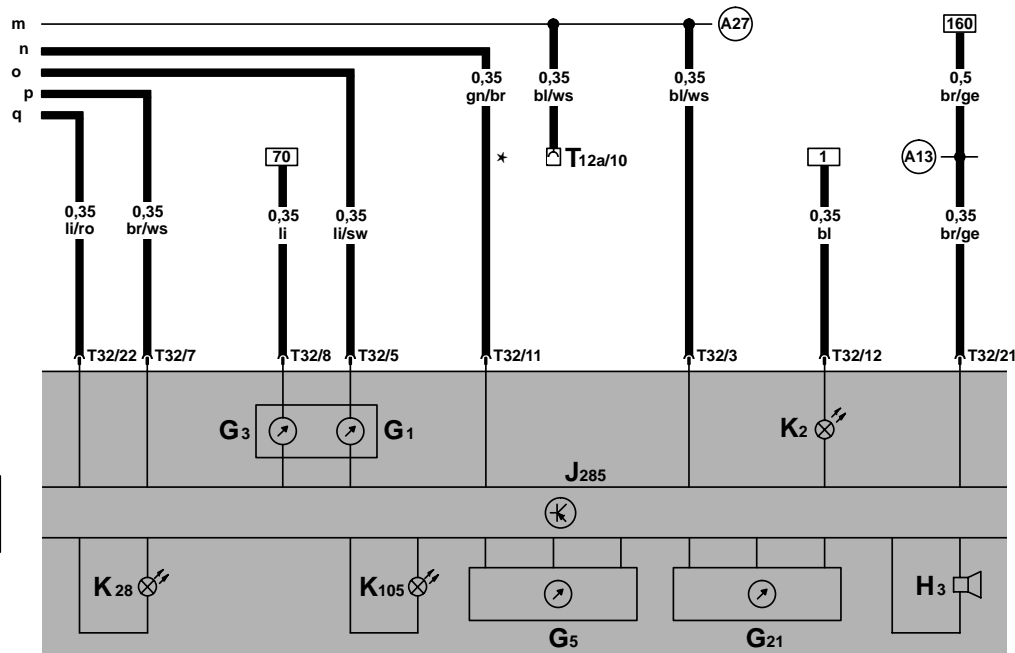


97-29799

Dash panel insert, coolant temperature gauge and fuel gauge, fuel gauge, rev. counter, speedometer, alternator warning lamp

- G1 - Fuel gauge
- G3 - Coolant temperature gauge
- G5 - Rev. counter
- G21 - Speedometer
- H3 - Warning buzzer
- J285 - Control unit with display in dash panel insert
- K2 - Alternator warning lamp
- K28 - Coolant temperature/coolant shortage warning lamp
- K105 - Reserve fuel warning lamp
- T12a - 12-pin connector, connection for Climatronic only
- T32 - 32-pin connector, blue
- A13 - Connection (door contact switch), in dash panel wiring harness
- A27 - Connection (speed signal), in dash panel wiring harness

* - Engine speed signal from engine control unit



ws = white
 sw = black
 ro = red
 br = brown
 gn = green
 bl = blue
 gr = grey
 li = purple
 ge = yellow
 or = orange

